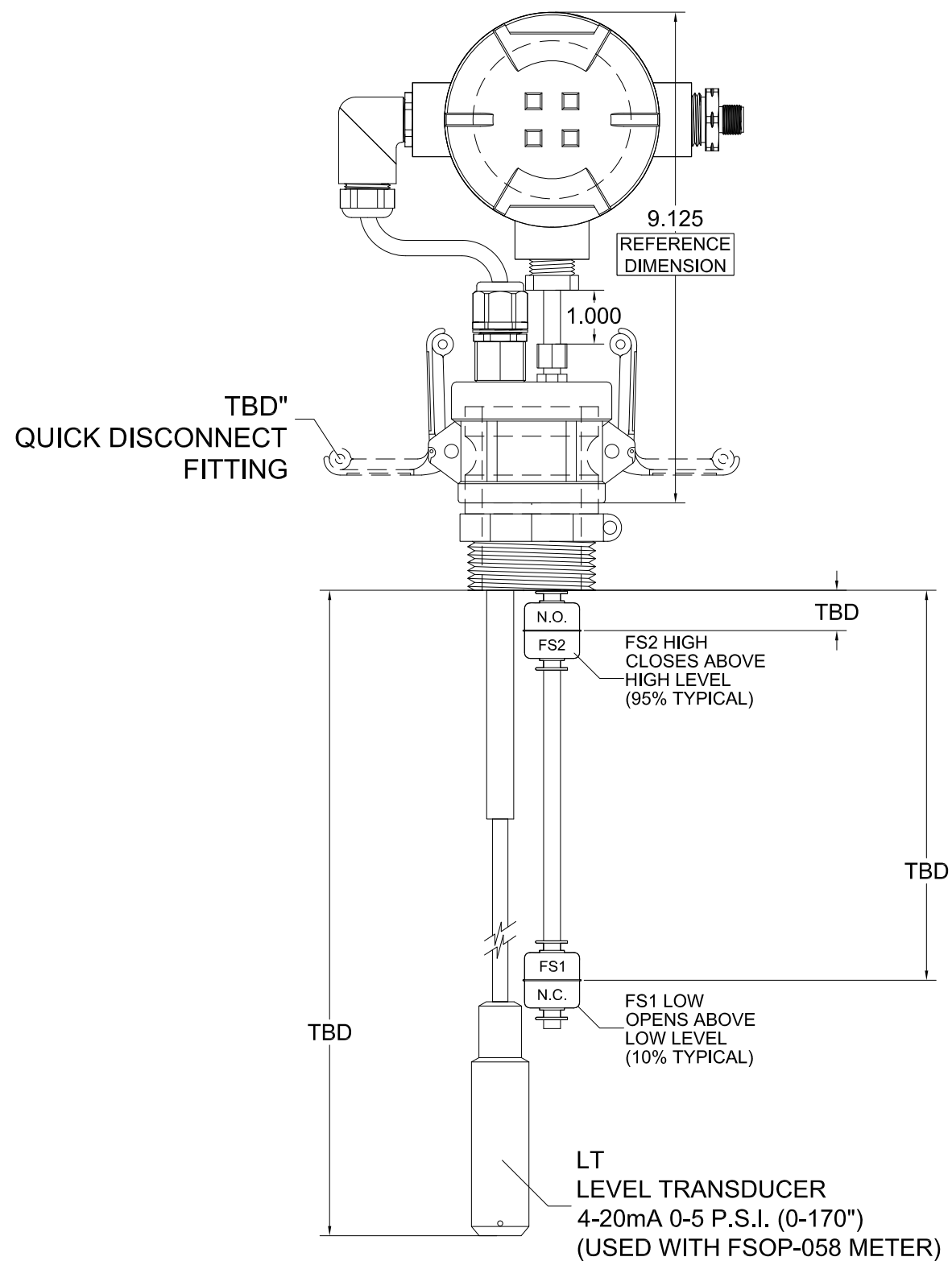
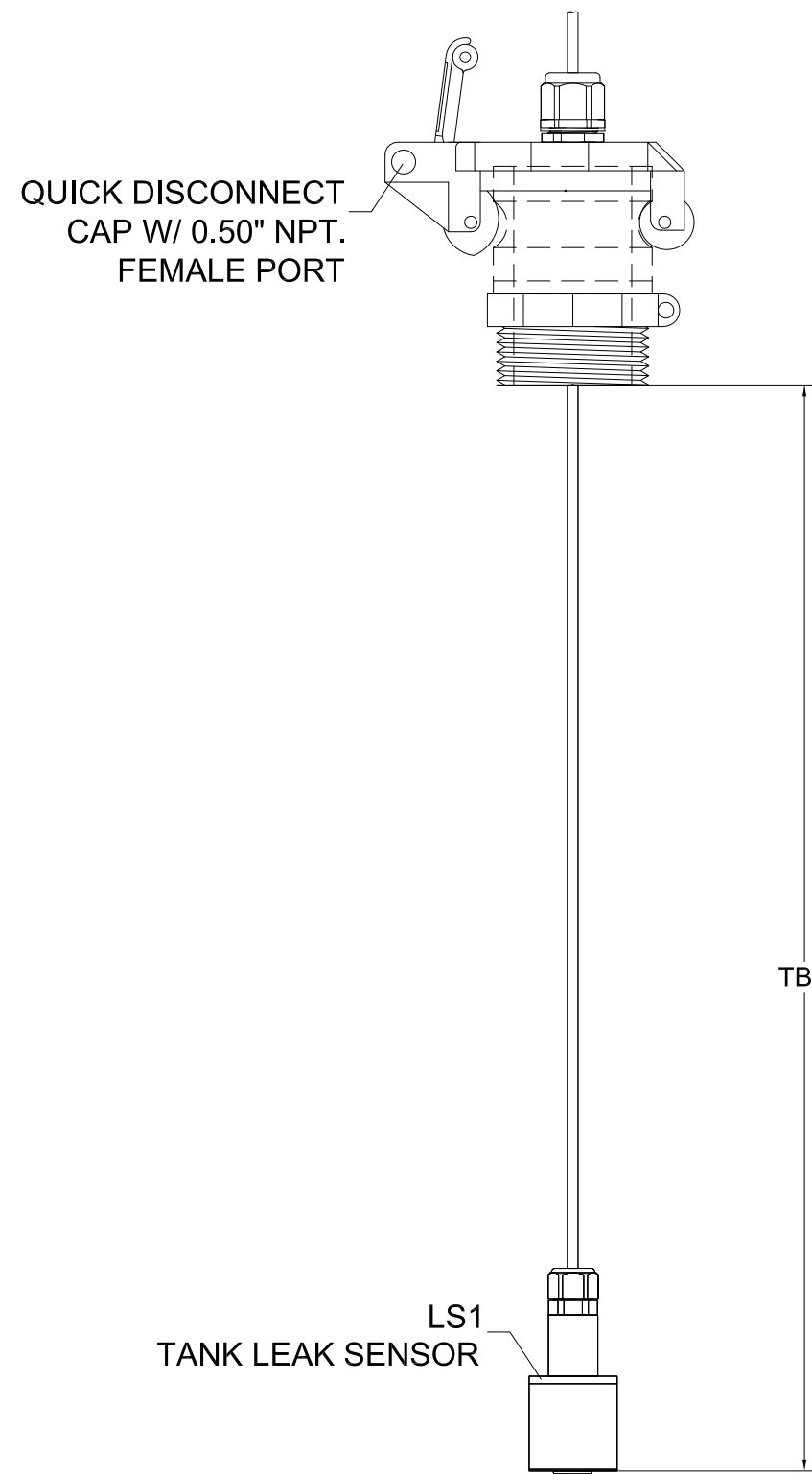


STD. HIGH & LOW FLOAT ASS'Y WITH OPTIONAL TRANSDUCER



FSOP-053/FSOP-062

STD. LEAK SENSOR ASS'Y



FSOP-051

SIMPLEX

SIMPLEX, INC.
5300 RISING MOON ROAD
SPRINGFIELD, ILLINOIS 62711-6228

THE INFORMATION HEREON IS THE
PROPERTY OF SIMPLEX, INC., AND/OR
ITS SUBSIDIARIES. WITHOUT WRITTEN
PERMISSION ANY COPYING,
TRANSMITTAL TO OTHERS AND USE
EXCEPT THAT FOR WHICH IT IS
LOANED IS PROHIBITED.
© 2022 SIMPLEX, INC.
ALL RIGHTS RESERVED

THIRD ANGLE PROJECTION



REV	DATE	DESCRIPTION	INT	APPR
A	04/13/2022	ORIGINAL DESIGN		
		REVISIONS & UPDATES		

TOLERANCES
 X.XXX ± 0.005"
 X.XX ± 0.010"
 X.X ± 0.020"
 FRACTIONAL ± 1/32"
 ANGLES ± 1°
 SURFACES 125/

APPROVED BY: AA
 DRAWN BY: AA
 SCALE: 1:2.831
 SHEET SIZE: ANSI B
 JOB NUMBER
 REFERENCE ONLY

DESCRIPTION
 TANK ALARM PANEL
 TC8 CONTROLLER
 FLOAT SWITCH (FOR METER)

Approved 04/13/2022

DRAWING NUMBER
 ACD-00096275

SHEET NUMBER 1/1
REVISION A