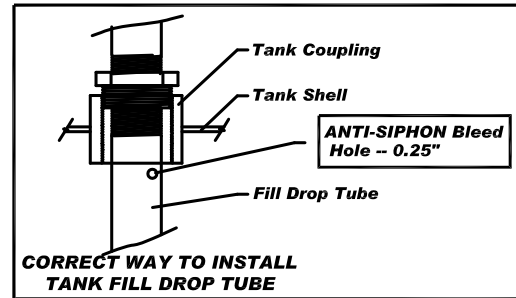
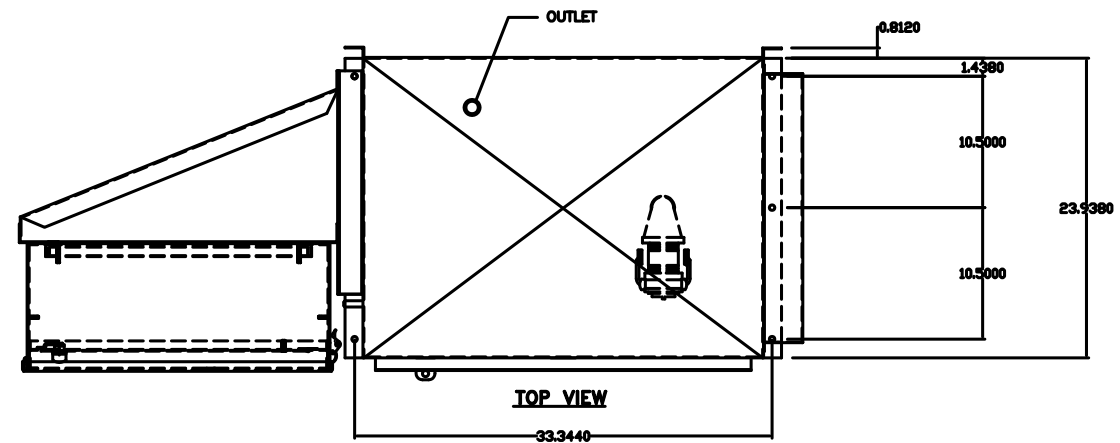


IMPORTANT INSTALLATION NOTE

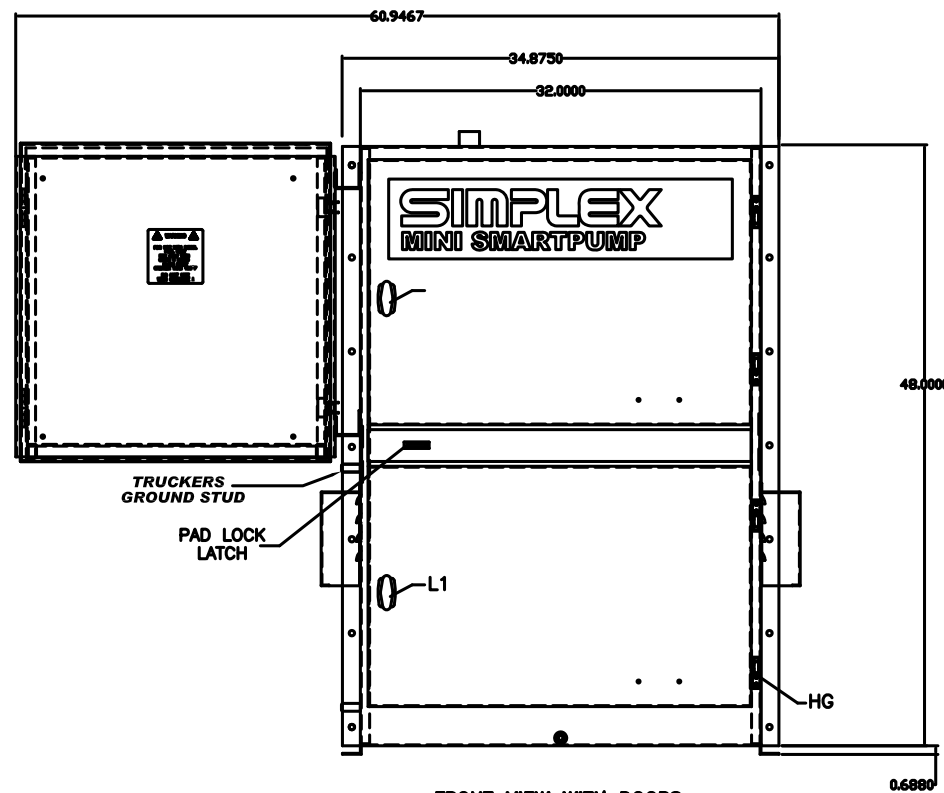
To Prevent Accidental Spill Due To Siphon Backflow, Tank Must Have Drop Tube With ANTI-SIPHON Bleed Hole As Shown Below



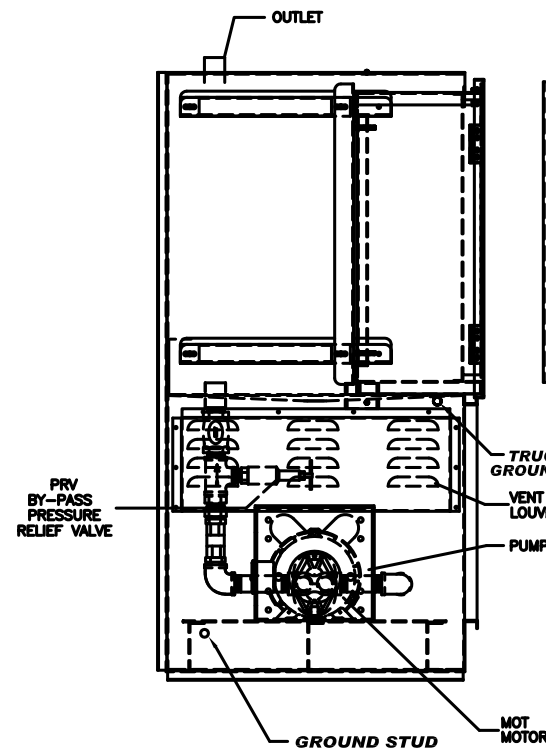
DETAIL A



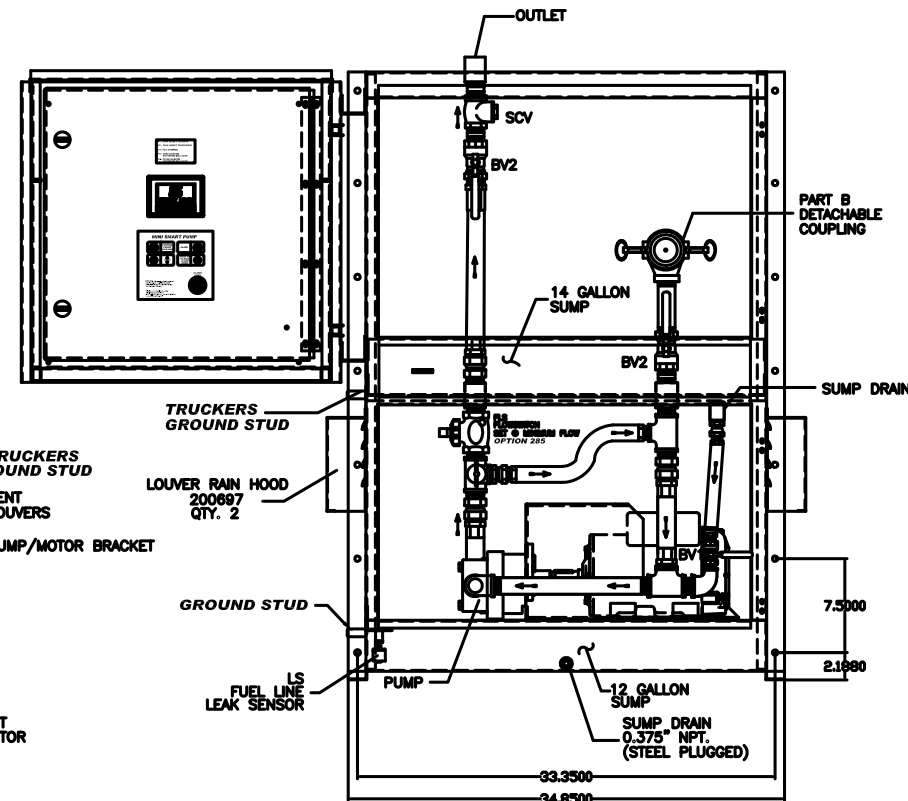
TOP VIEW



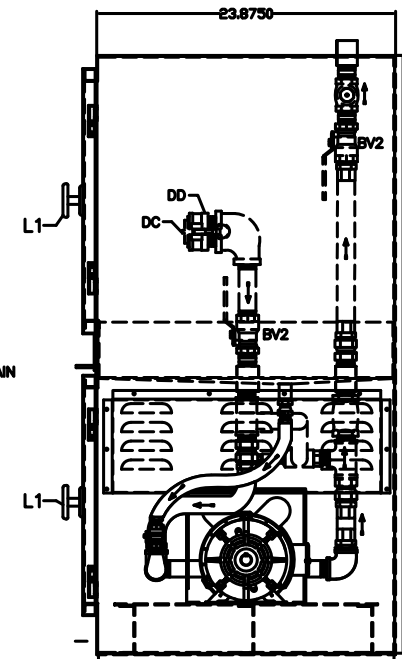
FRONT VIEW WITH DOORS



LEFT SIDE VIEW



FRONT VIEW LESS DOORS



RIGHT SIDE VIEW

WARNING

NON EXPLOSION PROOF SYSTEM FOR NON HAZARDOUS LOCATIONS



For use with class II liquids only: diesel fuel, fuel oil; liquids having a flash point greater than 100 F. [38°C]
Do not use with gasoline nor with any flammable liquid having a flash point less than 100°F. [38°C]

NOTES:

1. CONSTRUCTION: FORMED AND WELDED HOT ROLLED STEEL
2. ALL PARTS CLEANED
3. PAINT: POWDER COAT BONE WHITE
4. ALL ALL DIMENSIONS ± .125"
5. FITTING SIZE: 2", 3" OR 4"

THE INFORMATION HEREON IS THE PROPERTY OF SIMPLEX, INC., AND/OR ITS SUBSIDIARIES. WITHOUT WRITTEN PERMISSION ANY COPYING, TRANSMITTAL TO OTHERS AND USE EXCEPT THAT FOR WHICH IT IS LOANED IS PROHIBITED. DESIGN SUBJECT TO CHANGE WITHOUT NOTICE.
©2010 SIMPLEX, INC. ALL RIGHTS RESERVED.

SIMPLEX		SPRINGFIELD, ILLINOIS
SCALE :	APPROVED BY :	DRAWN BY : RER
DATE : 08-10-10		REVISED :
MINI SMARTPUMP MULTI-TANK PICTORIAL		
UL508A	STANDARD	DRAWING NUMBER 211993