

****ONLY ITEMS CHECKED ARE INCLUDED IN THE DAYTANK PACKAGE****

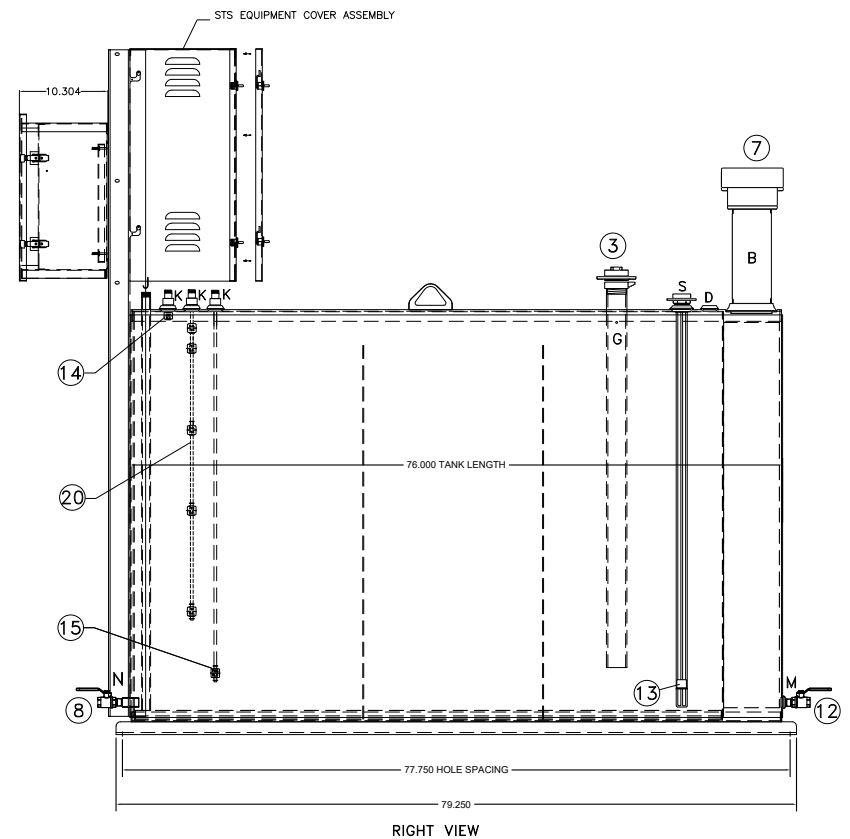
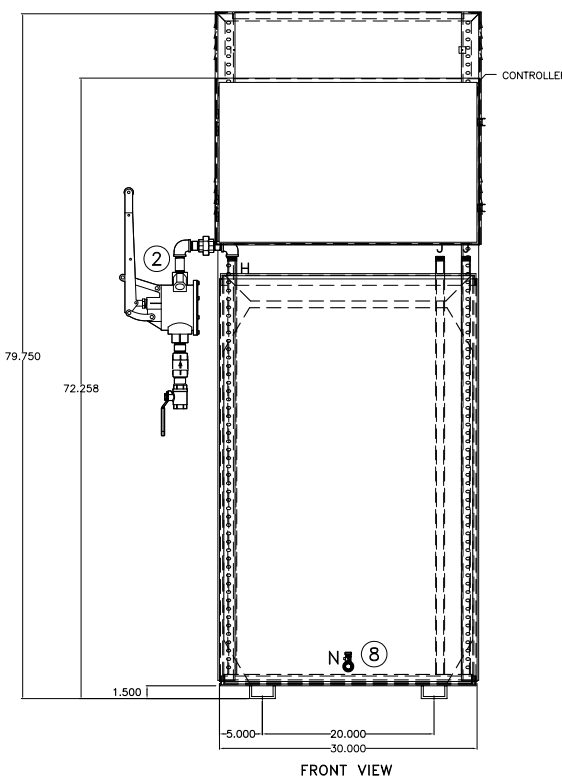
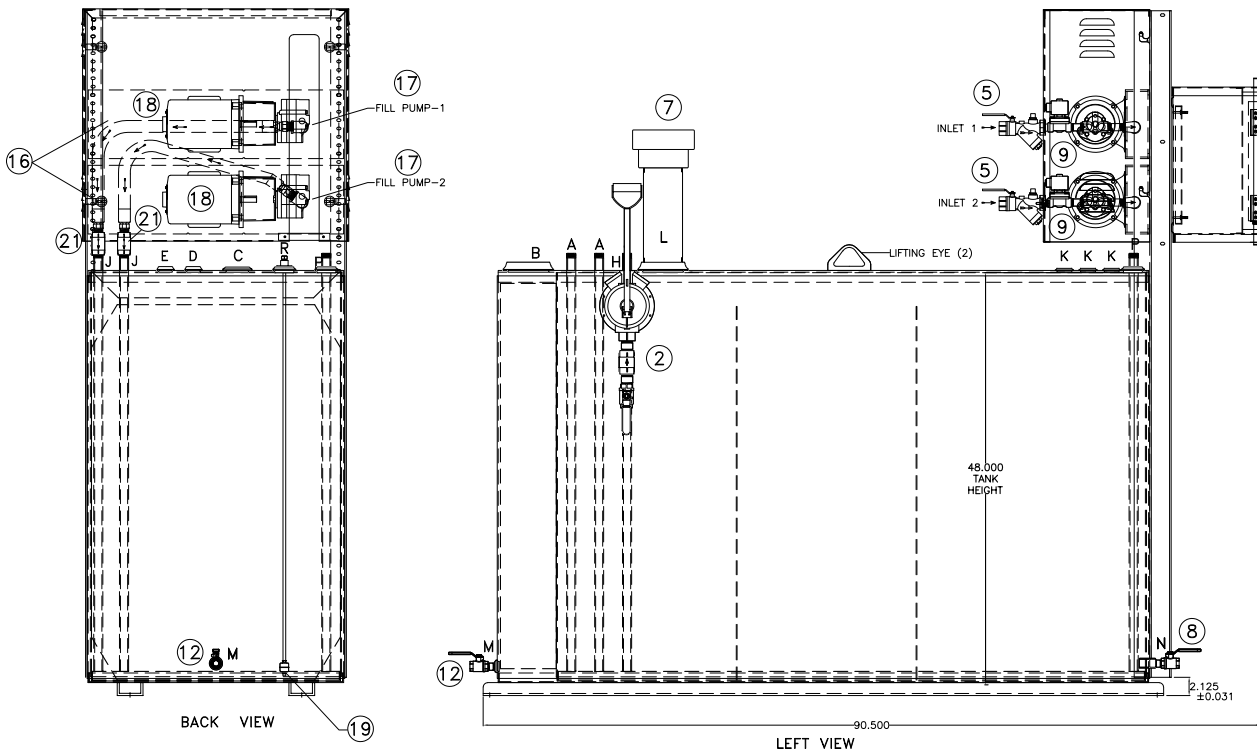
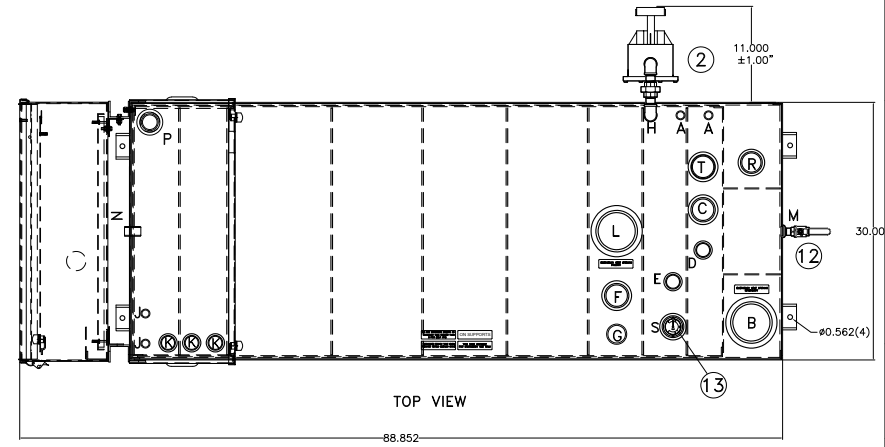
DUPLIX FILL			
ITEM	✓	STANDARD DAYTANK OPTIONS	PART # QTY
1	✓	X002- DELETION OF STD PUMP & MOTOR	NA 1
2		015- MANUAL HAND PUMP, 1"NPT, 1GAL PER STROKE	24748300 1
		SPRING CHECK VALVE, 1"NPT, BRASS	22924000 1
3		BALL VALVE, 1"NPT, BRONZE	22918010 1
		025- LOCKING MANUAL FUEL FILL CAP, 2" NPT	22108600 1
4		060- FUEL STRAINER, 'Y', BRONZE, 0.75"NPT	30049210
		060/087- BALL VALVE WITH FUEL STRAINER, 1"NPT	24010020
5		TAILPIECE, MALE, .75"NPT	24010106
		TAILPIECE, MALE, 1.00"NPT	24010102
6		063- VENT CAP, 2"NPT ***SHIP LOOSE***	22953000 1
		064- EMERGENCY VENT, 4"FNPT, ALUM.	22955001 2
7		NIPPLE, 4"x12", STD BLK	22517008 2
		065- PRIMARY DRAIN HAND VALVE, .50"NPT	22918050 1
9		080B- SOLENOID VALVE, .75"NPT, 115VAC, N.C.	21704100A
		080C- SOLENOID VALVE, 1"NPT, 115VAC, N.C.	21704400A
10		087- MANUAL FUEL SHUT-OFF VALVE, 75"NPT, BRZ	22918100
11		180- WEATHERPROOF MODIFICATION **SEE CONTROLLER**	13817100
12		192- SECONDARY DRAIN HAND VALVE, .50"NPT	22918050 1
13		215- MECHANICAL DIAL LEVEL GAUGE, 46"	15040003 1
14		326- CRITICAL HIGH FUEL CUTOFF FLOAT	25242990 1
15		333- CRITICAL LOW FUEL CUTOFF FLOAT 100-400	25242981 1

ITEM	✓	STANDARD DAYTANK OPTIONS	PART #	QTY
16		345- DUPLIX FILL PUMP AND MOTOR	NA	
17		399- 2GPM PUMP, .50" INPUT, .375" OUTPUT, ALUM.	24741020	
		404- 4GPM PUMP, .50" INPUT, .375" OUTPUT, ALUM.	24741050	
		407- 7GPM PUMP, .75" INPUT, .50" OUTPUT, ALUM.	24743100	
		410- 10GPM PUMP, .75" INPUT, .50" OUTPUT, ALUM.	24747250	
		502- 2GPM PUMP, .50" INPUT/OUTPUT, CAST IRON	24740002	
18		505- 5GPM PUMP, .75" INPUT/OUTPUT, CAST IRON	24740005	
		507- 7GPM PUMP, 1.00" INPUT/OUTPUT, CAST IRON	24740007	
		600- .33HP, 115VAC, 1PH, 60HZ, ODP, .625" SHAFT	24626100A	
		645- .33HP, 115VAC, 1PH, 60HZ, TEFC, .625" SHAFT	24626106	
		700- .50HP, 115VAC, 1PH, 60HZ, ODP, .625" SHAFT	24630000A	
19		745- .50HP, 115VAC, 1PH, 60HZ, TEFC, .625" SHAFT	24631000A	
		845- .75HP, 115VAC, 1PH, 60HZ, TEFC, .625" SHAFT	24636500A	
	✓	191- SECONDARY CONTAINMENT LEAK FLOAT	60000083	1
20	✓	STANDARD LEVEL FLOATSWITCH ASSEMBLY, 100-400	25242980	1
	✓	STS 400 DAY TANK	70000400	1
	✓	STANDARD SUBPANEL	70001000	1
	✓	SRS CONTROL PCB	50001601	1
21	✓	070- CHECK VALVE, .75"NPT, BRONZE	22923501	AR

PORT	DESCRIPTION	SIZE
A	ENGINE SUPPLY DROP TUBE - (QTY. 2) (1.000 CLEARANCE TO BOTTOM)	0.75" NPT, MALE
B	SECONDARY TANK E-VENT PORT	4.00" NPT, FEMALE
C	OVERFLOW PORT	2.00" NPT, FEMALE
D	ENGINE RETURN PORT	1.00" NPT, FEMALE
E	EXTRA PIPE FLANGE (QTY. 2)	1.00" NPT, FEMALE
F	TANK VENT PORT	2.00" NPT, FEMALE
G	MANUAL FILL PORT W/ BLEED HOLE (6.000 CLEARANCE TO BOTTOM)	2.00" NPT, MALE
H	HAND PUMP DROP TUBE (1.000 CLEARANCE TO BOTTOM)	0.75" NPT, MALE
J	PUMP CONNECTION TO TANK (QTY. 3) (1.000 CLEARANCE TO BOTTOM)	0.75" NPT, MALE
K	FLOATSWITCH MOUNTING PORT (QTY. 3)	1.00" NPT, FEMALE
L	PRIMARY TANK EMERGENCY VENT	4.00" NPT, FEMALE
M	SECONDARY TANK DRAIN PORT	0.50" NPT, FEMALE
N	PRIMARY TANK DRAIN PORT	0.50" NPT, FEMALE
P	RETURN PUMP CONNECTION TO TANK DROP TUBE DEPENDENT ON PUMP INLET SIZE (1.000 CLEARANCE TO BOTTOM)	1.50" NPT, FEMALE
R	LEAK SENSOR PORT	1.50" NPT, FEMALE
S	EXTRA PORT	1.50" NPT, FEMALE
T	EXTRA PORT	2.00" NPT, FEMALE

NOTES:

- CONSTRUCTION: 12 GA. H.R.S.
TANK TOP: 7 GA. H.R.S.
- LISTING: UL 142
- RATING: ATMOSPHERIC TANK
TESTED TO 3 PSI
- ALL DIMENSIONS ±.125"
- TANK COLOR = SIMPLEX CAROLINA VERMILLION
CONTROLLER COLOR = SIMPLEX COASTAL HAZE
- SECONDARY CONTAINMENT CAPACITY 465 GALLONS.
- ESTIMATED WEIGHT: 1070LBS.

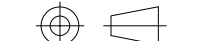


SIMPLEX

SIMPLEX, INC.
5300 RISING MOON ROAD
SPRINGFIELD, ILLINOIS 62711-6228

THE INFORMATION HEREON IS THE PROPERTY OF SIMPLEX, INC. AND/OR ITS SUBSIDIARIES. WITHOUT WRITTEN PERMISSION ANY COPYING, TRANSMITTAL TO OTHERS AND USE EXCEPT THAT FOR WHICH IT IS LOANED IS PROHIBITED.
© 2017 SIMPLEX, INC.
ALL RIGHTS RESERVED.

THIRD ANGLE PROJECTION



REV	DATE	DESCRIPTION
E	01/03/2020	Added lifting eyes, revised CV's.
D	06/25/2019	Brought up to date.
C	10/22/2018	REVISED LEAK FLOAT PART NUMBER.
B	09/23/2018	Revised port locations, corrected pump & motor PNs.
A	09/06/2017	Original Design

TOLERANCES
X.XXX ± 0.005"
X.XX ± 0.010"
X.X ± 0.020"
FRACTIONAL ± 1/32"
ANGLES ± 1°
SURFACES 125

APPROVED BY: LT
DRAWN BY: LT
SCALE: 1:22.0209
SHEET SIZE: ANSI B
JOB NUMBER: NA

DESCRIPTION
STS400
Technology Series Day Tank
UL142

Approved 01/03/2020

DRAWING NUMBER
ACD-00035348

SHEET NUMBER: 1/1
REVISION: E