

1) FEDERAL AND DOT APPROVED TRAILER 12000 LBS GROSS WEIGHT CAPACITY.

ICC SAFETY CHAINS 36" LONG W/HOOKS  
 ICC 12V. ELECTRIC LIGHTS WITH 7 POLE CONNECTOR  
 ELECTRIC BRAKES WITH MECHANICAL PARKING BRAKE  
 W/LEAF SPRINGS  
 3" PINTLE RING  
 7000# LIFT JACK WITH FOOT PLATE  
 TIRES LT 235-85-R16, E  
 WHEEL WELLS  
 DECK PLATE  
 PAINTED:

PRIMER: TILE CLAD WB EPOXY  
 (24702501), PART A, B73A200, GRAY PRIMER  
 (24702502), PART B, B73V200, CATALYST  
 PAINT: CENTURIAN POLYURETHANE  
 (24708500), B65W711, ASA 49 GRAY  
 (24722500), B65V700, CATALYST

2) AIR COOLED HORIZONTAL 2000KW LOAD BANK SYSTEM  
 CONSISTING OF  
 2 - HORIZONTAL AIRFLOW LOAD BANKS  
 1 - CONTROL PANEL  
 2 - 36" DIAMETER FANS WITH MOTORS (1 PER LOAD BANK)

PAINTED:  
 PRIMER: TILE CLAD WB EPOXY  
 (24702501), PART A, B73A200, GRAY PRIMER  
 (24702502), PART B, B73V200, CATALYST  
 PAINT: CENTURIAN POLYURETHANE  
 (24708500), B65W711, ASA 49 GRAY  
 (24722500), B65V700, CATALYST

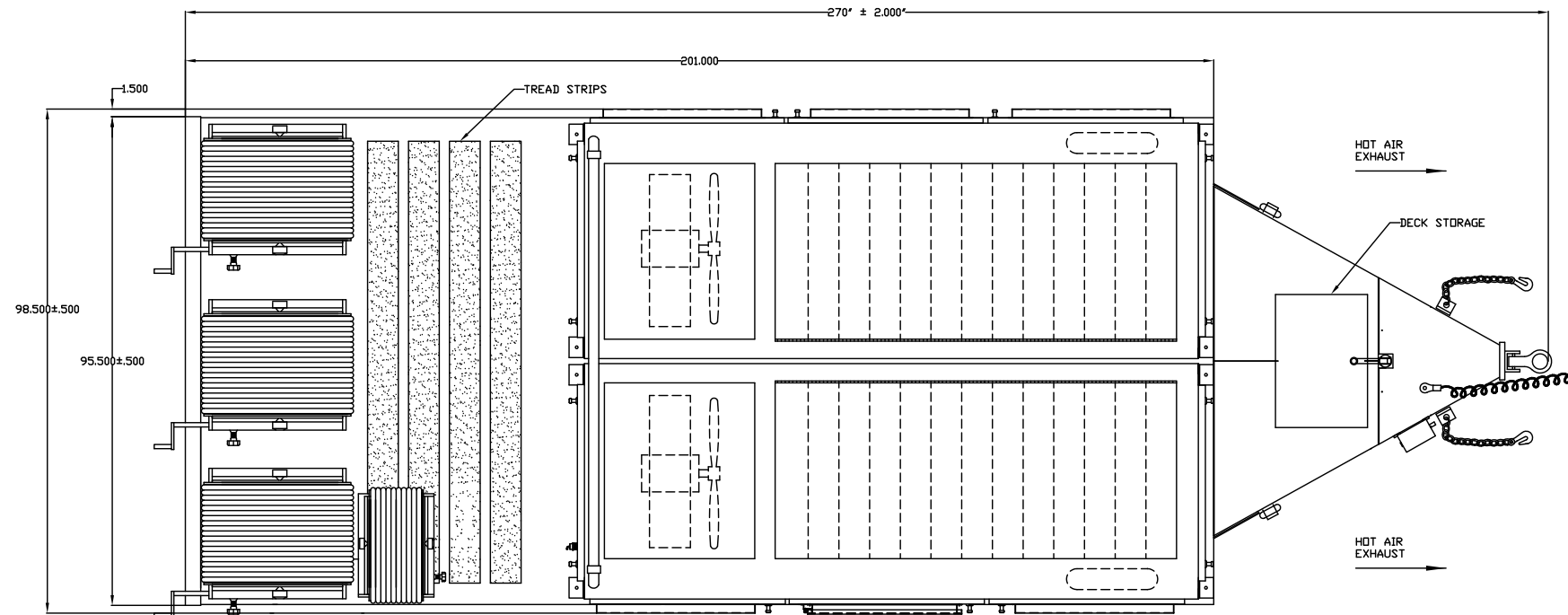
3) CABLE REELS - C28-30-31 RT (2" CHANNEL FRAME)

MANUAL DRIVE FROM FRONT  
 REEL CAPACITY: "PERFECT WRAP" - 900' @ 1.00" DIAMETER CABLE.  
 "NOMINAL WRAP" - 750' @ 1.00" DIAMETER CABLE.  
 "REQUESTED CAPACITY" - 750' @ 1.00" DIAMETER CABLE.  
 (SUPPLIED BY OTHERS)  
 CONTROL CABLE REEL - C18-19-21 RT  
 MANUAL DRIVE FROM FRONT  
 REEL CAPACITY: "PERFECT WRAP" - 120' @ 1.00" DIAMETER CABLE.  
 "NOMINAL WRAP" - 100' @ 1.00" DIAMETER CABLE.  
 "REQUESTED CAPACITY" - 100' INTERCONNECT CABLE

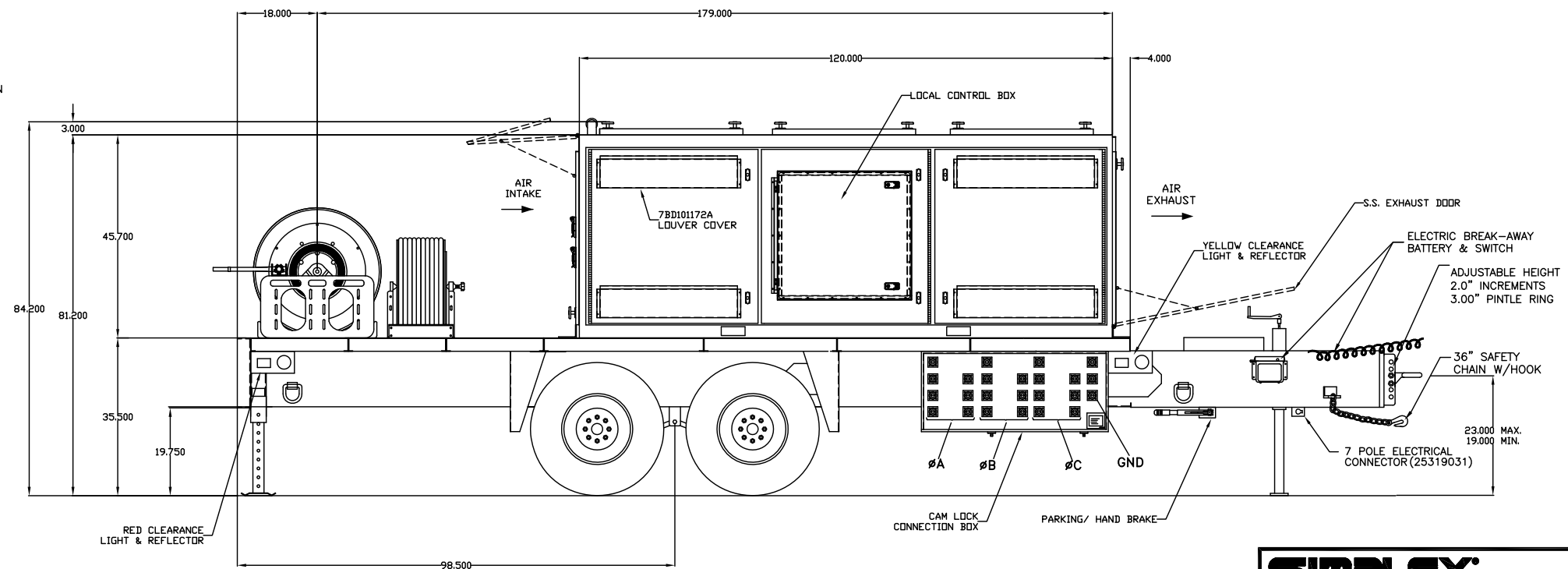
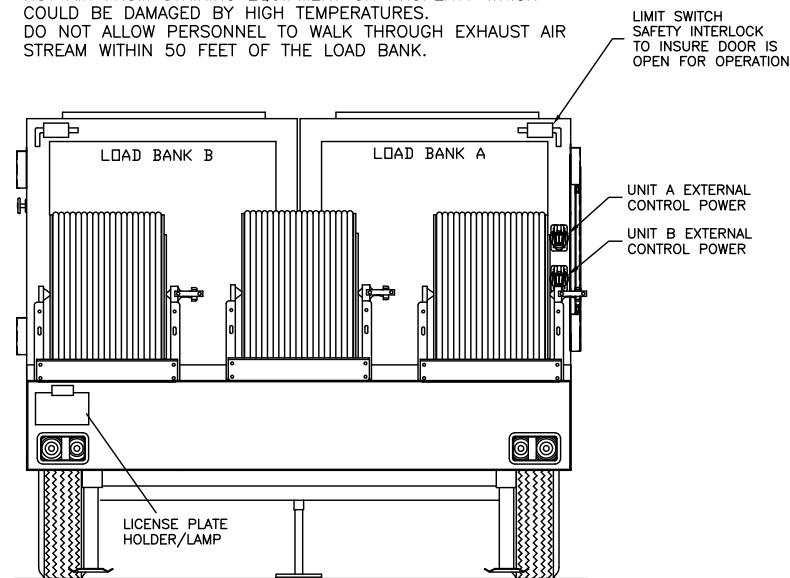
4) AIR INTAKE AND EXHAUST SCREENS  
 AIR INTAKE AND EXHAUST COVERS

5) TOTAL APPROXIMATE WEIGHT 10,800 LBS.  
 LOAD BANK AND TRAILER = 9,000 LBS.  
 CABLE (2,250') = 1,800 LBS.

6) LOCAL CONTROL PANEL. SEE SEPARATE DRAWING.



WARNING - HIGH TEMPERATURE  
 EXHAUST TEMPERATURES COULD EXCEED 500°F DURING  
 LOAD TESTS. THIS HIGH TEMPERATURE AIR IS  
 EXHAUSTED AT A HIGH VELOCITY AND EXTENDS OUT  
 THE END OF THE LOAD BANK NEAR GROUND LEVEL.  
 EXTREME CAUTION SHOULD BE EXERCISED TO PREVENT THIS  
 HOT AIR FROM STRIKING EQUIPMENT OR PROPERTY WHICH  
 COULD BE DAMAGED BY HIGH TEMPERATURES.  
 DO NOT ALLOW PERSONNEL TO WALK THROUGH EXHAUST AIR  
 STREAM WITHIN 50 FEET OF THE LOAD BANK.



THE INFORMATION HEREON IS THE PROPERTY OF SIMPLEX, INC., AND/OR  
 ITS SUBSIDIARIES. WITHOUT WRITTEN PERMISSION ANY COPYING, TRANSMITTAL  
 TO OTHERS AND USE EXCEPT THAT FOR WHICH IT IS LOANED IS PROHIBITED.  
 DESIGN SUBJECT TO CHANGE WITHOUT NOTICE.  
 ©2010 SIMPLEX, INC. ALL RIGHTS RESERVED.

<b>SIMPLEX</b>		SPRINGFIELD, ILLINOIS
SCALE :	APPROVED BY :	DRAWN BY : RER
DATE : 08-02-10		REVISED :
TRIDENT-2000 TRAILER LOAD BANK PICTORIAL		
STANDARD		DRAWING NUMBER 211954