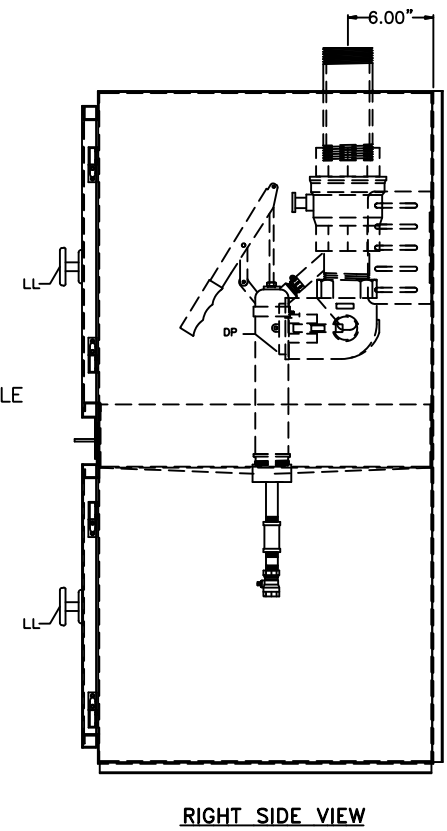
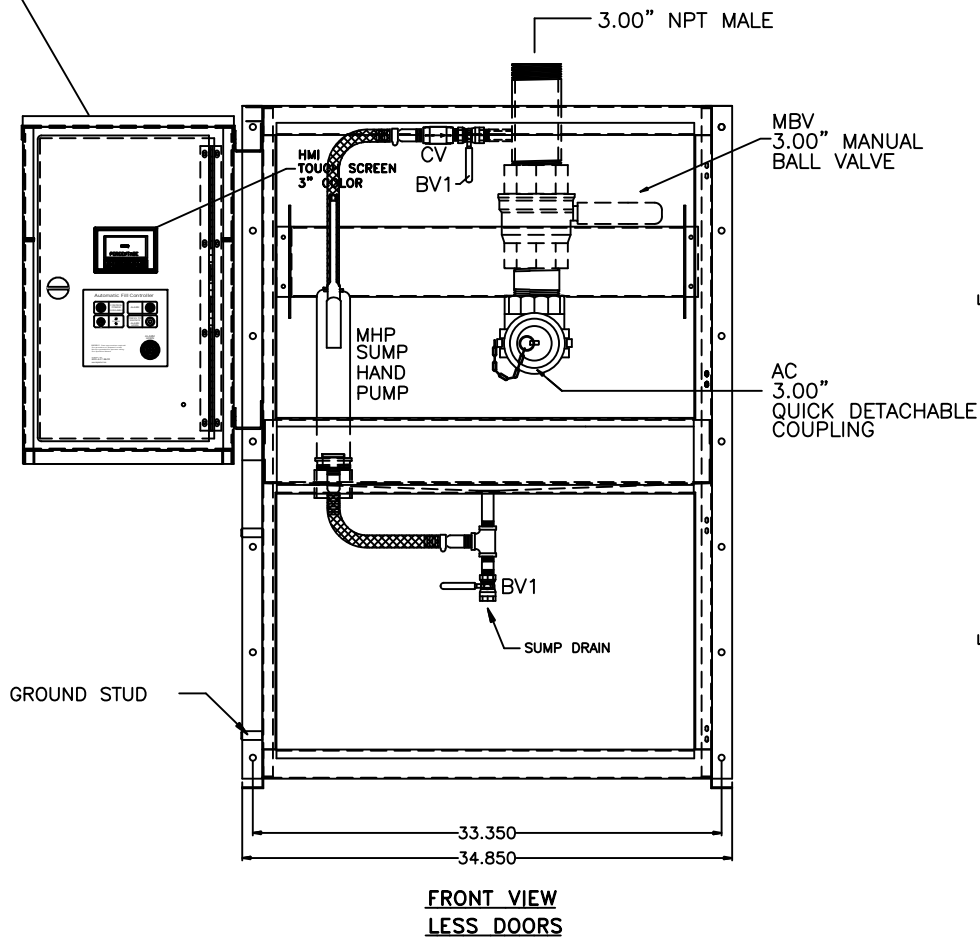
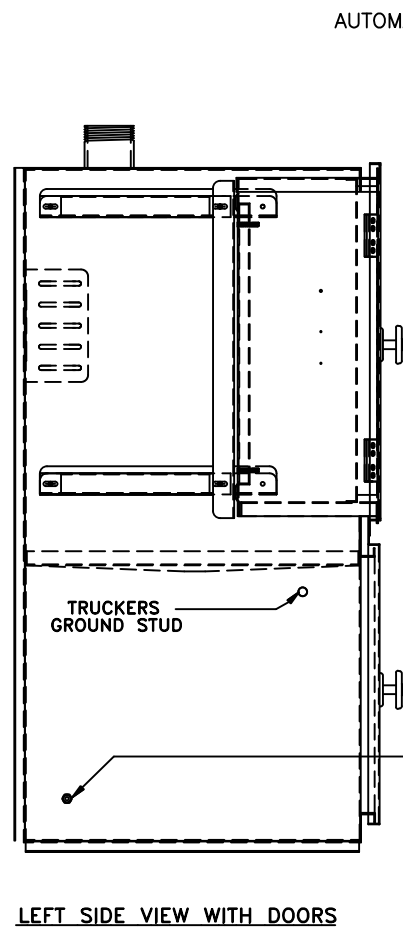
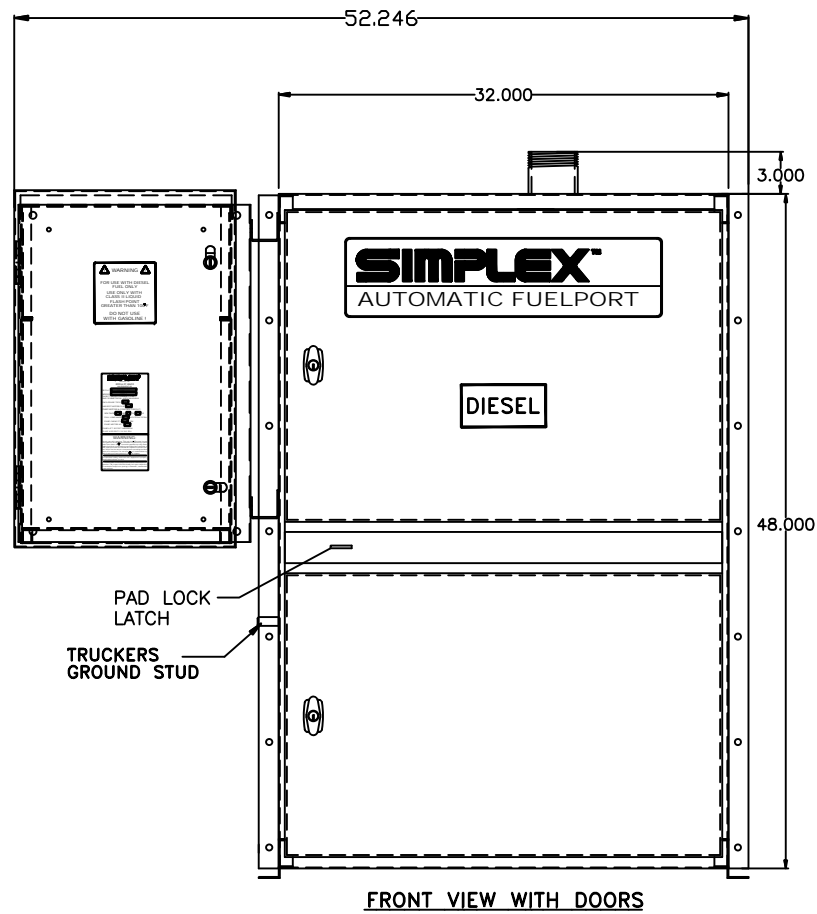
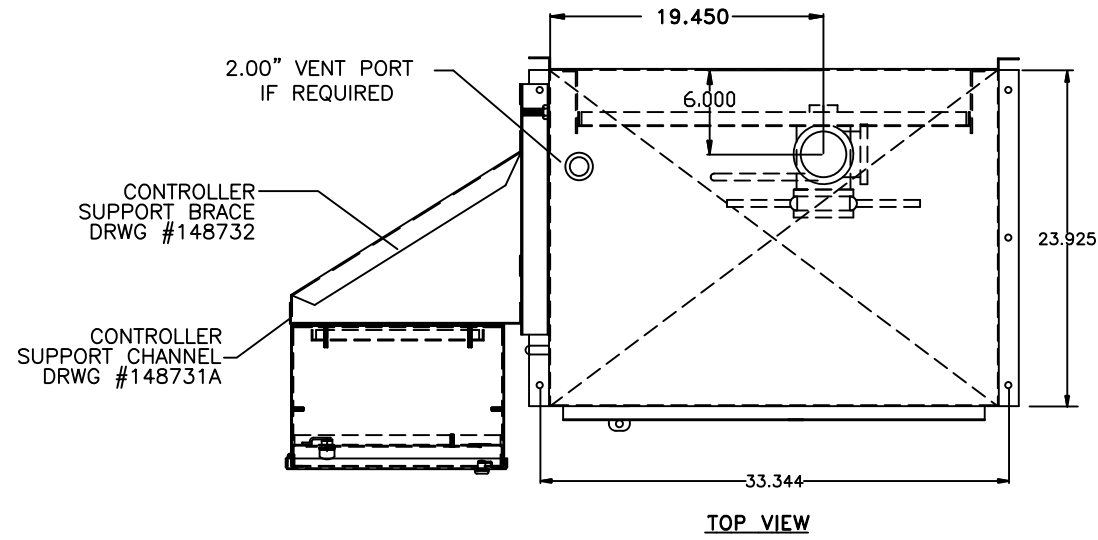


NOTES:

1. CONSTRUCTION: FORMED AND WELDED HOT ROLLED STEEL
2. ALL PARTS BLASTED
3. FINISH: POWDER COAT WHITE
DOORS POWDER COAT BLUE
4. ALL DIMENSIONS +.125



THE INFORMATION HEREON IS THE PROPERTY OF SIMPLEX, INC., AND/OR ITS SUBSIDIARIES. WITHOUT WRITTEN PERMISSION ANY COPYING, TRANSMITTAL TO OTHERS AND USE EXCEPT THAT FOR WHICH IT IS LOANED IS PROHIBITED. DESIGN SUBJECT TO CHANGE WITHOUT NOTICE.
©2017 SIMPLEX, INC. ALL RIGHTS RESERVED.

SIMPLEX		SPRINGFIELD, ILLINOIS
SCALE :	APPROVED BY :	DRAWN BY : RER
DATE : 04-12-17		REVISED :
AUTOMATIC FUELPORT PICTORIAL		
STANDARD	DRAWING NUMBER 211983A	