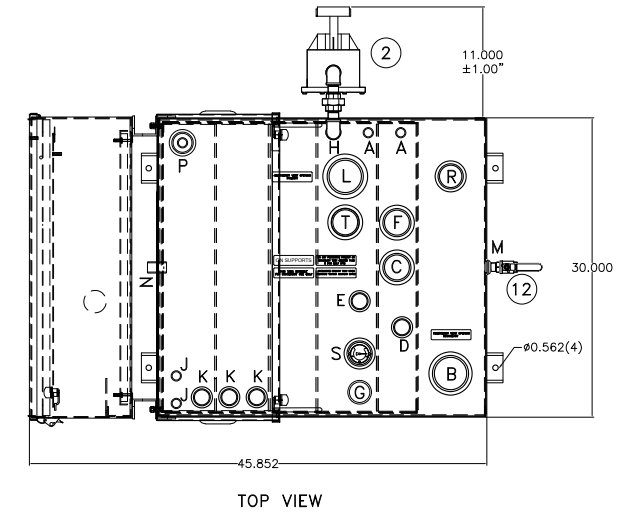


****ONLY ITEMS CHECKED ARE INCLUDED IN THE DAYTANK PACKAGE****

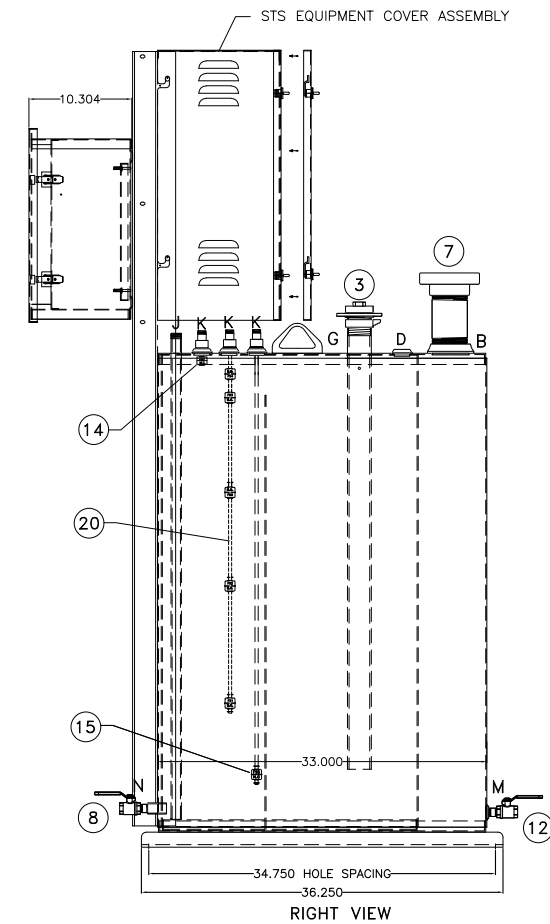
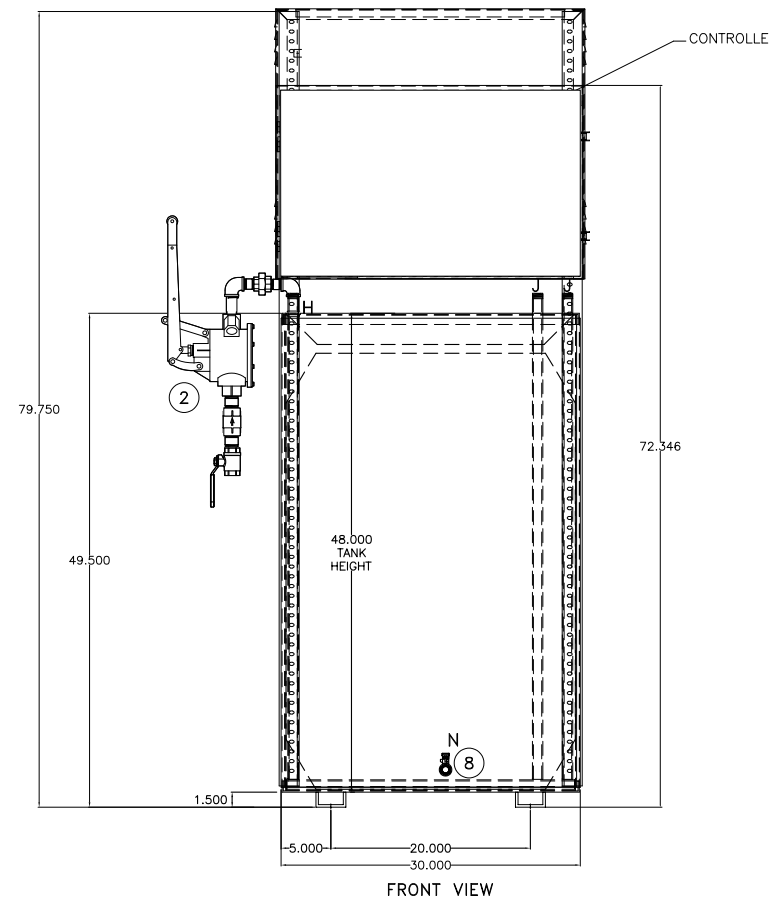
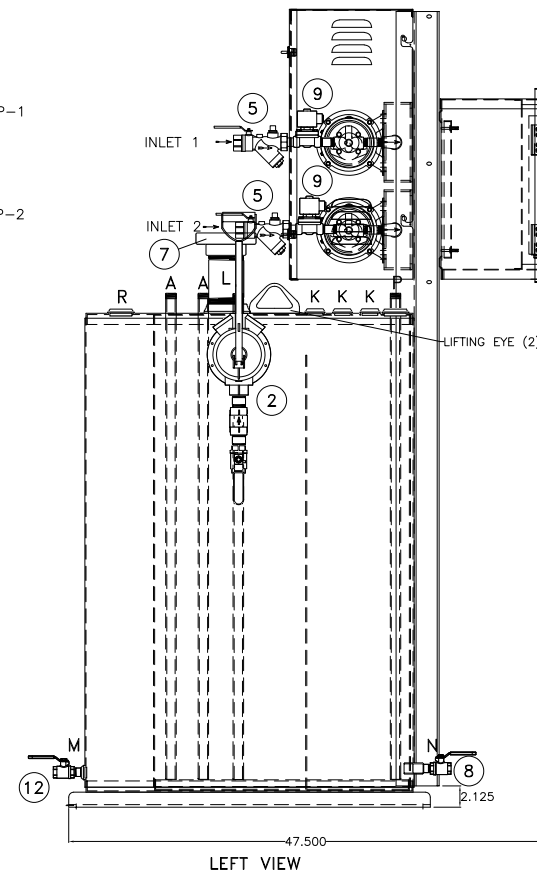
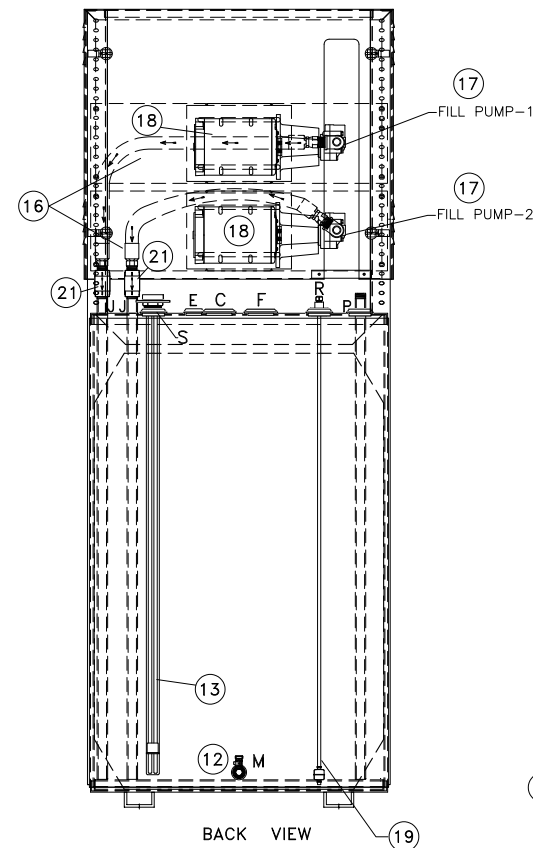
DUPLEX FILL				
ITEM	✓	STANDARD DAYTANK OPTIONS	PART #	QTY
1		X002- DELETION OF STD PUMP & MOTOR	NA	1
2		015- MANUAL HAND PUMP, 1"NPT, 1GAL PER STROKE	24748300	1
		SPRING CHECK VALVE, 1"NPT, BRASS	22924000	1
		BALL VALVE, 1"NPT, BRONZE	22918010	1
3		025- LOCKING MANUAL FUEL FILL CAP, 2" NPT	22108600	1
4		060- FUEL STRAINER, 'Y', BRONZE, 0.75"NPT	30049210	
		060/087- BALL VALVE WITH FUEL STRAINER, 1"NPT	24010020	
5		TAILPIECE, MALE, .75"NPT	24010106	
		TAILPIECE, MALE, 1.00"NPT	24010102	
6		063- VENT CAP, 2"NPT ***SHIP LOOSE***	22953000	1
7		064- EMERGENCY VENT, 3"FNPT, ALUM.	22400086	2
		NIPPLE, 3"x6", STD BLK	22517003	2
8		065- PRIMARY DRAIN HAND VALVE, .50"NPT	22918050	1
9		080B- SOLENOID VALVE, .75"NPT, 115VAC, N.C.	21704100A	
		080C- SOLENOID VALVE, 1"NPT, 115VAC, N.C.	21704400A	
10		087- MANUAL FUEL SHUT-OFF VALVE, 75"NPT, BRZ	22918100	
11		180- WEATHERPROOF MODIFICATION **SEE CONTROLLER**	13817100	
12		192- SECONDARY DRAIN HAND VALVE, .50"NPT	22918050	1
13		215- MECHANICAL DIAL LEVEL GAUGE, 46"	15040003	1
14		326- CRITICAL HIGH FUEL CUTOUT FLOAT	25242990	1
15		333- CRITICAL LOW FUEL CUTOUT FLOAT 100-400	25242981	1

ITEM	✓	STANDARD DAYTANK OPTIONS	PART #	QTY
16		345- DUPLEX FILL PUMP AND MOTOR	NA	
17		399- 2GPM PUMP, .50" INPUT, .375" OUTPUT, ALUM.	24741020	
		404- 4GPM PUMP, .50" INPUT, .375" OUTPUT, ALUM.	24741050	
		407- 7GPM PUMP, .75" INPUT, .50" OUTPUT, ALUM.	24743100	
		410- 10GPM PUMP, .75" INPUT, .50" OUTPUT, ALUM.	24747250	
		502- 2GPM PUMP, .50" INPUT/OUTPUT, CAST IRON	24740002	
18		505- 5GPM PUMP, .75" INPUT/OUTPUT, CAST IRON	24740005	
		507- 7GPM PUMP, 1.00" INPUT/OUTPUT, CAST IRON	24740007	
		600- .33HP, 115VAC, 1PH, 60HZ, ODP, .625" SHAFT	24626100A	
		645- .33HP, 115VAC, 1PH, 60HZ, TEFC, .625" SHAFT	24626106	
		700- .50HP, 115VAC, 1PH, 60HZ, ODP, .625" SHAFT	24630000A	
19		745- .50HP, 115VAC, 1PH, 60HZ, TEFC, .625" SHAFT	24631000A	
		845- .75HP, 115VAC, 1PH, 60HZ, TEFC, .625" SHAFT	24636500A	
19	✓	191- SECONDARY CONTAINMENT LEAK FLOAT	60000083	1
20	✓	STANDARD LEVEL FLOATSWITCH ASSEMBLY, 100-400	25242980	1
	✓	STS 150 DAY TANK	70000150	1
	✓	STANDARD SUBPANEL	70001000	1
	✓	SRS CONTROL PCB	50001601	1
21	✓	070- CHECK VALVE, .75"NPT, BRONZE	22923501	AR

PORT	DESCRIPTION	SIZE
A	ENGINE SUPPLY DROP TUBE - (QTY. 2) (1.000 CLEARANCE TO BOTTOM)	0.75" NPT, MALE
B	SECONDARY TANK E-VENT PORT	3.00" NPT, FEMALE
C	OVERFLOW PORT	2.00" NPT, FEMALE
D	ENGINE RETURN PORT	1.00" NPT, FEMALE
E	EXTRA PIPE FLANGE	1.00" NPT, FEMALE
F	TANK VENT PORT	2.00" NPT, FEMALE
G	MANUAL FILL PORT W/ BLEED HOLE (6.000 CLEARANCE TO BOTTOM)	2.00" NPT, MALE
H	HAND PUMP DROP TUBE (1.000 CLEARANCE TO BOTTOM)	0.75" NPT, MALE
J	PUMP CONNECTION TO TANK (QTY. 2) (1.000 CLEARANCE TO BOTTOM)	0.75" NPT, MALE
K	FLOATSWITCH MOUNTING PORT (QTY. 3)	1.00" NPT, FEMALE
L	PRIMARY TANK EMERGENCY VENT	3.00" NPT, FEMALE
M	SECONDARY TANK DRAIN PORT	0.50" NPT, FEMALE
N	PRIMARY TANK DRAIN PORT	0.50" NPT, FEMALE
R	LEAK SENSOR PORT	1.50" NPT, FEMALE
P	RETURN PUMP CONNECTION TO TANK DROP TUBE DEPENDENT ON PUMP INLET SIZE (1.000 CLEARANCE TO BOTTOM)	1.5" NPT, FEMALE
S	EXTRA PORT/MECHANICAL DIAL LEVEL GAUGE PORT	1.50" NPT, FEMALE
T	EXTRA PORT	2.00" NPT, FEMALE



- NOTES:
- 1) CONSTRUCTION: 12 GA. H.R.S.
TANK TOP: 10 GA. H.R.S.
 - 2) LISTING: UL 142
 - 3) RATING: ATMOSPHERIC TANK
TESTED TO 3 PSI
 - 4) ALL DIMENSIONS ±.125"
 - 5) TANK COLOR = SIMPLEX CAROLINA VERMILLION
CONTROLLER COLOR = SIMPLEX COASTAL HAZE
 - 6) SECONDARY CONTAINMENT CAPACITY 201 GALLONS.
 - 7) ESTIMATED WEIGHT: 651LBS.

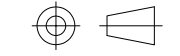


SIMPLEX

SIMPLEX, INC.
5300 RISING MOON ROAD
SPRINGFIELD, ILLINOIS 62711-6228

THE INFORMATION HEREON IS THE
PROPERTY OF SIMPLEX, INC. AND/OR
ITS SUBSIDIARIES. WITHOUT WRITTEN
PERMISSION ANY COPYING,
TRANSMITTAL TO OTHERS AND USE
EXCEPT THAT FOR WHICH IT IS
LOANED IS PROHIBITED.
© 2017 SIMPLEX, INC.
ALL RIGHTS RESERVED

THIRD ANGLE PROJECTION



REV	DATE	DESCRIPTION	INT	APPR
E	01/03/2020	Added lifting eyes, revised CV's.		
D	05/21/2019	Revised and updated.		
C	10/23/2018	REVISED LEAK SENSOR FLOAT PART NUMBER.		
B	09/23/2018	Revised port positions., corrected pump& motor P.N's.		
A	09/26/2017	Original Design		

TOLERANCES
X.XXX ± 0.005"
X.XX ± 0.010"
X.X ± 0.020"
FRACTIONAL ± 1/32"
ANGLES ± 1°
SURFACES 125

APPROVED BY: LT
DRAWN BY: LT
SCALE: 1:18.9537
SHEET SIZE: ANSI B
JOB NUMBER: NA

DESCRIPTION
STS150
Technology Series Day Tank
UL142

Approved 01/03/2020

DRAWING NUMBER
ACD-00036131

SHEET NUMBER: 1/1
REVISION: E

4

3

2

1