

STS Series

Packaged Day Tank Systems



Overview

The NEW Simplex STS Series Packaged Day Tank Systems represent a transformation of the iconic Simplex Day Tank to the latest design technology with revolutionary customer and user benefits:

- Modular construction to adapt wide ranging requirements to a standard product
- Modular design transforms from build-to-order to inventory based delivery
- 1 week submittal drawings, standard configurations
- Shipment from inventory 5 weeks, standard configurations
- Backed by Simplex renowned engineering capability and nationwide service

Description

The SIMPLEX TECHNOLOGY SERIES is a new product with specific customer/user features and advantages as design goals:

1. Lower pricing
2. Inventory based product for much quicker delivery



3. Highly standardized drawings for much quicker submittal delivery
4. New standardized design to facilitate integration of customer optional requirements within a standard package
5. New device layouts to facilitate field installation and service

The STS Series represents a transformation from a build-to-order product to an inventory based product. Based upon over 50 years of experience with day tank systems, beginning with the innovation of the first packaged day tank systems in the 1960's, Simplex

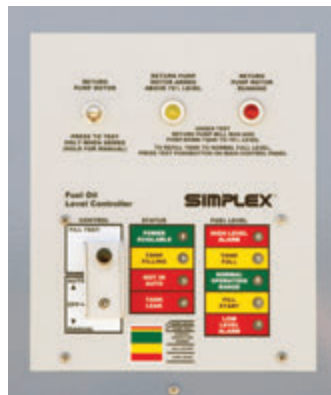
has developed a new design which allows integration of over 150 options into a standard, inventory based package. Likewise, drawings have been transformed to reduce submittal lead times to days. The result is the job-specialized product that owners want with the fit and finish of a standard, high volume product.

Standard STS Day Tank Configuration

- UL142 Secondary Containment Tank (double wall construction) of required capacity equipped with pipe fittings as shown on page 3
- Tank leak sensor
- UL508A Level Controller with point sensing float switch array, as further described below
- Fill pump, 2 GPM, 120vAC, single-phase, 60 Hertz
- Fill check valve
- Packaged for indoor installation. Tank finish coated Simplex Carolina Vermillion, controller finish coated Simplex Coastal Haze

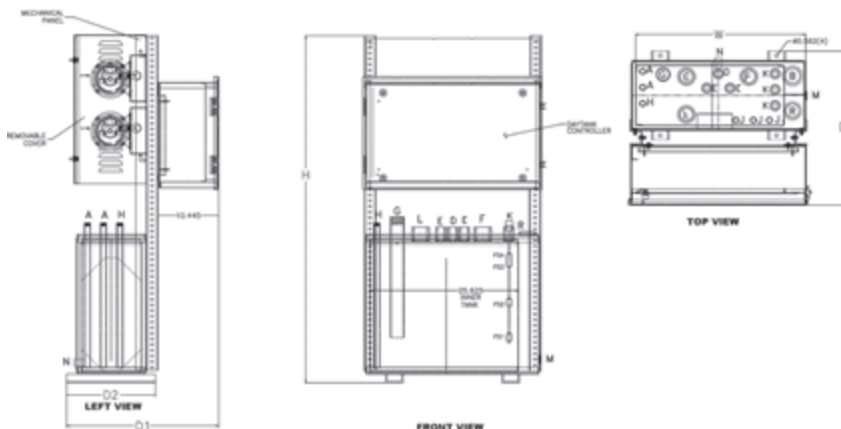
STS Level Controller

- UL508A
- Packaged in type 1 (std.) or type 3R (opt.) enclosure with hinge-open and lockable front door
- Control functions:
 - Auto-Off-Manual control switch
 - Press-to-Test pushbutton
 - Tank fill automatic differential level controller
 - Overfill control backup
 - Leak detection
- Indication functions (extra-bright LED):
 - Fuel level
 - Power available
 - Not in Auto (flashing)
 - Tank filling
 - Low level alarm
 - High level alarm
 - Tank leak
- Output functions:
 - Fill start-stop
 - Low level alarm
 - High level alarm
 - Tank leak
 - Not in auto

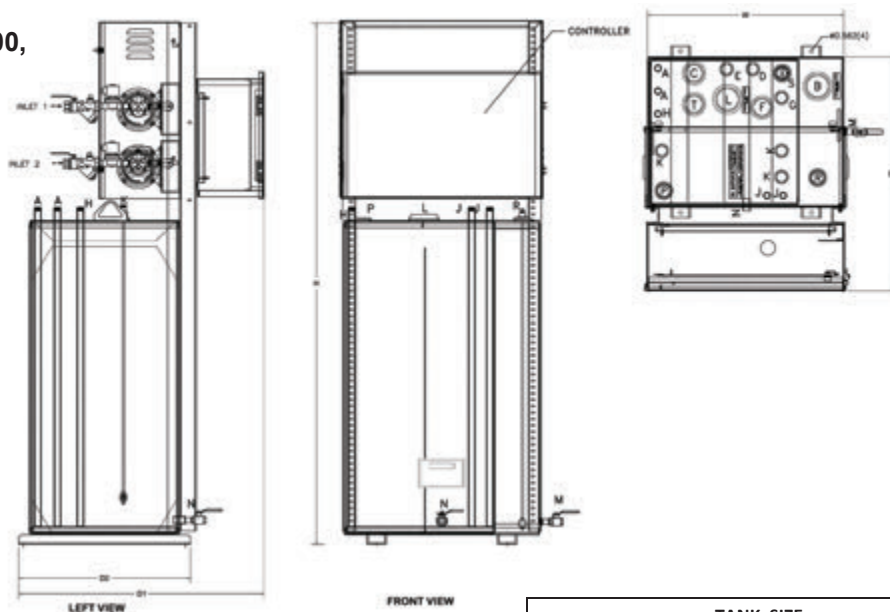


SPECIFICATIONS	
Capacity Range:	10-25-60-75-100-150-200-300-400 gallons stock models. Intermediate and larger models available.
Construction:	UL142 secondary containment tank (double wall)
Controller:	UL508A integrated controller
Installation:	Freestanding, pad-mountable, indoor (standard) or outdoor (optional)
Pumps:	Integrated single or duplex fill or return pumps 2-25 GPM, .33-1.5HP
Options:	Over 150 standard options can be fitted to stock day tanks for quick delivery. Countless special options available.
Integration:	STS Series Day Tanks are system compatible with the entire family of Simplex Fuel Supply Products

10 and 25 Gallon



60, 75, 100, 150, 200, 300, and 400 Gallon



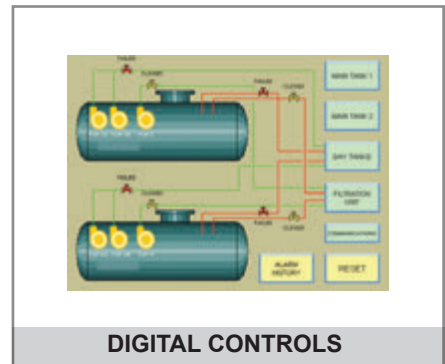
TANK DIMENSIONS				
Gallon	W	H	D1	D2
10	30"	47.50"	26.50"	15.25"
25	30"	61.25"	26.50"	15.25"
60	30"	79.75"	38.75"	26.25"
75	30"	79.75"	35.85"	26.25"
100	30"	79.75"	35.85"	26.25"
150	30"	79.75"	48.50"	37.25"
200	30"	79.75"	58.50"	45.25"
300	30"	79.75"	72.50"	61.25"
400	30"	79.75"	90.50"	79.25"

		TANK SIZE		
PORT	DESCRIPTION	10, 25	60, 75, 100, 150, 200	300, 400
A	ENGINE SUPPLY DROP TUBE - (QTY. 2) (1.000 CLEARANCE TO BOTTOM)	.75"	.75"	.75"
B	SECONDARY CONTAINMENT E-VENT	2"	3"	4"
C	OVERFLOW PORT	2"	2"	2"
D	ENGINE RETURN PORT	1"	1"	1"
E	EXTRA PIPE FLANGE (QTY. 2)	1"	1"	1"
F	TANK VENT PORT	1.5"	2"	2"
G	MANUAL FILL PORT W/ BLEED HOLE (6.000 CLEARANCE TO BOTTOM)	2"	2"	2"
H	HAND PUMP DROP TUBE (1.000 CLEARANCE TO BOTTOM)	.75"	.75"	.75"
J	PUMP CONNECTION TO TANK (QTY. 2) (1.000 CLEARANCE TO BOTTOM)	.75"	.75"	.75"
K	FLOATSWITCH MOUNTING PORT (QTY. 3)	1"	1"	1"
L	PRIMARY TANK EMERGENCY VENT	2"	3"	4"
M	SECONDARY TANK DRAIN PORT	.50"	.50"	.50"
N	PRIMARY TANK DRAIN PORT	.50"	.50"	.50"
P	PUMP CONNECTION TO TANK	NA	1.5"	1.5"
R	LEAK SENSOR PORT	1.5"	1.5"	1.5"
S	EXTRA PORT	1.5"	1.5"	1.5"
T	EXTRA PORT	NA	2"	2"

SIMPLEX FUEL SUPPLY PRODUCTS



TANK FILLING SYSTEMS



MISSION CRITICAL SYSTEMS

