

TC8 Tank Alarm Panel

Description

The Simplex Tank Commander TC8 Tank Alarm Panel is used to monitor High Level, Low Level, and Tank Leak Alarms. The TC8 provides both audio and visual indication. Relay dry contacts are provided for remote alarms. The TC8 receives signals from float switches mounted on the tank. The float switches may be included as an option or provided by others.

The TC8 is available in 115VAC and 24VDC voltages. The TC8 is for use with fuel oil or other Class II liquids or non-flammable liquids or chemicals. The TC8 carries a UL 508A Label.

Includes

- NEMA-3R, lockable enclosure with hinged door
- UL 508A Label
- Alarm light; high level
- Alarm light; low level
- Alarm light; tank leak
- Alarm horn with silence pushbutton
- Press-To-Test pushbutton
- Press-To-Reset pushbutton
- Indicators for
 - Tank leak (dry contact)
 - High Fuel alarm (dry contact)
 - Low Fuel alarm (dry contact)
- Level sensors, optional



Specifications

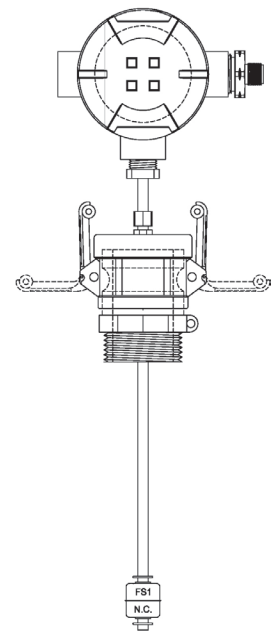
Power supply:
115VAC, 1 ϕ , 60 Hz or 24VDC

Application:
Fuel oil, Class II liquids, non-flammable liquids, chemicals

Alarm contacts:
10A @125/250VAC, 30VDC

Optional Features

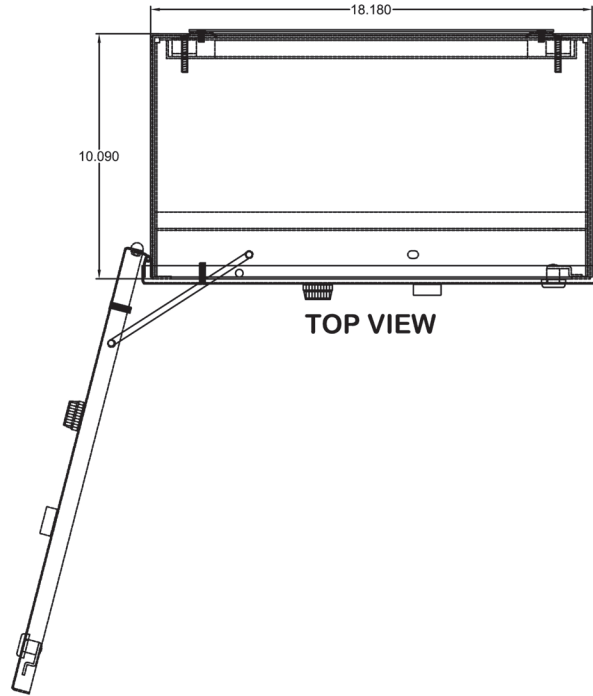
- Type 4 Enclosure
- Type 4X Enclosure
- Digital Level Meter
- Custom Float Levels
- Loop Isolator
- MDS



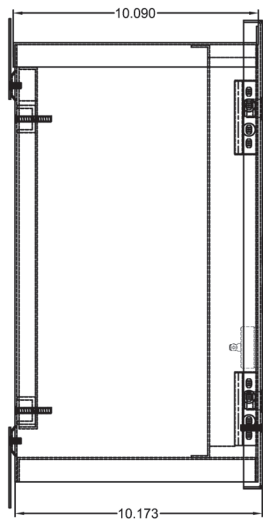
Level Sensor

TC8

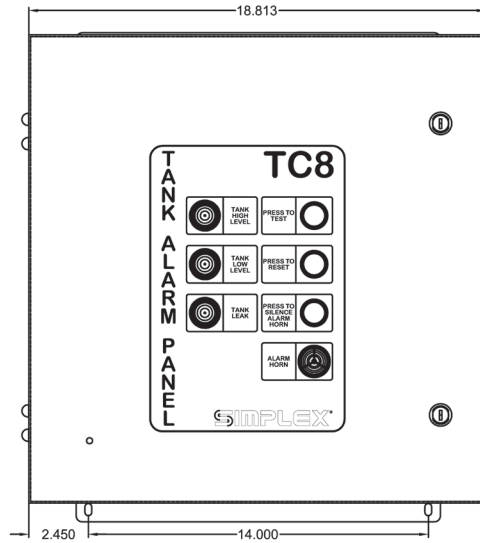
Dimensions



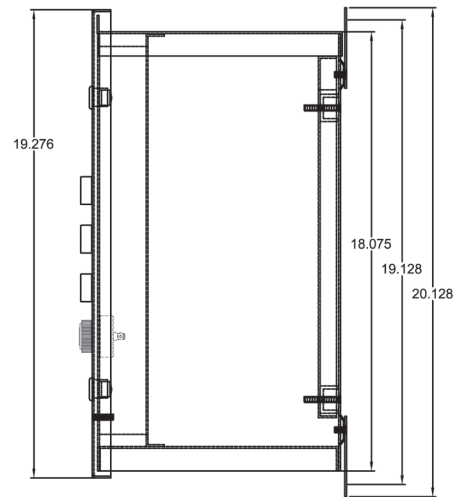
TOP VIEW



LEFT SIDE VIEW



FRONT VIEW



RIGHT SIDE VIEW