

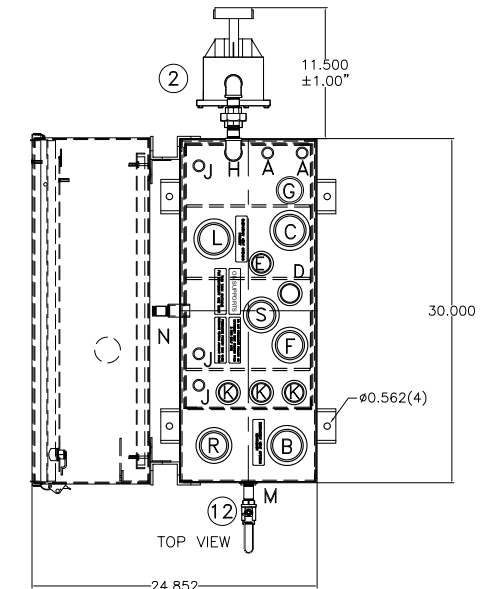
****ONLY ITEMS CHECKED ARE INCLUDED IN THE DAYTANK PACKAGE****

DUPLEX FILL			
ITEM	STANDARD DAYTANK OPTIONS	PART #	QTY
1	X002- DELETION OF STD PUMP & MOTOR	NA	1
2	015- MANUAL HAND PUMP, 1"NPT, 1GAL PER STROKE	24748300	1
	SPRING CHECK VALVE, 1"NPT, BRASS	22924000	1
	BALL VALVE, 1"NPT, BRONZE	22918010	1
3	025- LOCKING MANUAL FUEL FILL CAP, 2" NPT	22108600	1
4	060- FUEL STRAINER, 'Y', BRONZE, 0.75"NPT	30049210	
5	060/087- BALL VALVE WITH FUEL STRAINER, 1"NPT	24010020	
	TAILPIECE, MALE, .75"NPT	24010106	
6	TAILPIECE, MALE, 1.00"NPT	24010102	
	063- VENT CAP, 1.5"NPT ***SHIP LOOSE***	22952000	1
7	064- EMERGENCY VENT, 2"MNPT, ALUM.	22400085	2
	COUPLING, 2.00", #150 STEEL	22444000	2
8	065- PRIMARY DRAIN HAND VALVE, .50"NPT	22918050	1
9	080B- SOLENOID VALVE, .75"NPT, 115VAC, N.C.	21704100A	
	080C- SOLENOID VALVE, 1"NPT, 115VAC, N.C.	21704400A	
10	087- MANUAL FUEL SHUT-OFF VALVE, 75"NPT, BRZ	22918100	
11	180- WEATHERPROOF MODIFICATION **SEE CONTROLLER**	13817100	
12	192- SECONDARY DRAIN HAND VALVE, .50"NPT	22918050	1
13	215- MECHANICAL DIAL LEVEL GAUGE, 10"	15040004	1
14	326- CRITICAL HIGH FUEL CUTOUT FLOAT	25242990	1
15	333- CRITICAL LOW FUEL CUTOUT FLOAT, 10 GAL	25242961	1

ITEM	STANDARD DAYTANK OPTIONS	PART #	QTY
16	345- DUPLEX FILL PUMP AND MOTOR	NA	
17	399- 2GPM PUMP, .50" INPUT, .375" OUTPUT, ALUM.	24741020	
	404- 4GPM PUMP, .50" INPUT, .375" OUTPUT, ALUM.	24741050	
	407- 7GPM PUMP, .75" INPUT, .50" OUTPUT, ALUM.	24743100	
	410- 10GPM PUMP, .75" INPUT, .50" OUTPUT, ALUM.	24747250	
	502- 2GPM PUMP, .50" INPUT/OUTPUT, CAST IRON	24740002	
	505- 5GPM PUMP, .75" INPUT/OUTPUT, CAST IRON	24740005	
	507- 7GPM PUMP, 1.00" INPUT/OUTPUT, CAST IRON	24740007	
18	600- .33HP, 115VAC, 1PH, 60HZ, ODP, .625" SHAFT	24626100A	
	645- .33HP, 115VAC, 1PH, 60HZ, TEFC, .625" SHAFT	24626106	
	700- .50HP, 115VAC, 1PH, 60HZ, ODP, .625" SHAFT	24630000A	
	745- .50HP, 115VAC, 1PH, 60HZ, TEFC, .625" SHAFT	24631000A	
19	845- .75HP, 115VAC, 1PH, 60HZ, TEFC, .625" SHAFT	24636500A	
	191- SECONDARY CONTAINMENT LEAK FLOAT	60000085	1
20	STANDARD LEVEL FLOATSWITCH ASSEMBLY, 10GAL	25242960	1
	STS 10 DAY TANK	70000010	1
	STANDARD SUBPANEL	70001000	1
	SRS CONTROL PCB	50001601	1
21	070- CHECK VALVE, .75"NPT, BRONZE	22923501	AR

PORT	DESCRIPTION	SIZE
A	ENGINE SUPPLY DROP TUBE - (QTY. 2) (1.000 CLEARANCE TO BOTTOM)	0.75" NPT, MALE
B	SECONDARY CONTAINMENT E-VENT	2.00" NPT, FEMALE
C	OVERFLOW PORT	2.00" NPT, FEMALE
D	ENGINE RETURN PORT	1.00" NPT, FEMALE
E	EXTRA PIPE FLANGE	1.00" NPT, FEMALE
F	TANK VENT PORT	1.50" NPT, FEMALE
G	MANUAL FILL PORT W/ BLEED HOLE (3.000 CLEARANCE TO BOTTOM)	2.00" NPT, MALE
H	HAND PUMP DROP TUBE (1.000 CLEARANCE TO BOTTOM)	0.75" NPT, MALE
J	PUMP CONNECTION TO TANK (QTY. 3) (1.000 CLEARANCE TO BOTTOM)	0.75" NPT, MALE
K	FLOATSWITCH MOUNTING PORT (QTY. 3)	1.00" NPT, FEMALE
L	PRIMARY TANK EMERGENCY VENT	2.00" NPT, FEMALE
M	SECONDARY TANK DRAIN PORT	0.50" NPT, FEMALE
N	PRIMARY TANK DRAIN	0.50" NPT, FEMALE
R	LEAK SENSOR PORT	1.50" NPT, FEMALE
S	EXTRA PORT	1.50" NPT, FEMALE

- NOTES:
- CONSTRUCTION: 12 GA. H.R.S.
TANK TOP: 10 GA. H.R.S.
 - LISTING: UL 142
 - RATING: ATMOSPHERIC TANK
TESTED TO 3 PSI
 - ALL DIMENSIONS ±.125"
 - TANK COLOR = SIMPLEX CAROLINA VERMILLION
CONTROLLER COLOR = SIMPLEX COASTAL HAZE
 - SECONDARY CONTAINMENT CAPACITY 16 GALLONS.
 - ESTIMATED WEIGHT: 123LBS.



SIMPLEX
SIMPLEX, INC.
5300 RISING MOON ROAD
SPRINGFIELD, ILLINOIS 62711-6228

THE INFORMATION HEREON IS THE PROPERTY OF SIMPLEX, INC. AND/OR ITS SUBSIDIARIES. WITHOUT WRITTEN PERMISSION ANY COPYING, TRANSMITTAL TO OTHERS AND USE EXCEPT THAT FOR WHICH IT IS LOANED IS PROHIBITED.

© 2017 SIMPLEX, INC.
ALL RIGHTS RESERVED

THIRD ANGLE PROJECTION

REV	DATE	DESCRIPTION	INT	APPR
F	01/06/2020	Revised check valves brought up to date.		
E	08/01/2019	REVISED LEAK FLOAT PART NUMBER.		
D	10/22/2018	Revised OPT063 to 1.5".		
C	05/07/2018	Revised pump & motor PN's, connections.		
B	03/23/2018	Original Design.		
A	08/30/2017			

TOLERANCES
X.XXX ± 0.005"
X.XX ± 0.010"
X.X ± 0.020"
FRACTIONAL ± 1/32"
ANGLES ± 1°
SURFACES 125

APPROVED BY: LT
DRAWN BY: LT
SCALE: 1:16.4789
SHEET SIZE: ANSI B
JOB NUMBER: NA

DESCRIPTION
STS10
Technology Series Day Tank
UL142

Approved 01/06/2020

DRAWING NUMBER
ACD-00035146

SHEET NUMBER: 1/1
REVISION: F

