

4

3

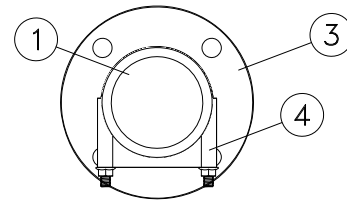
2

1

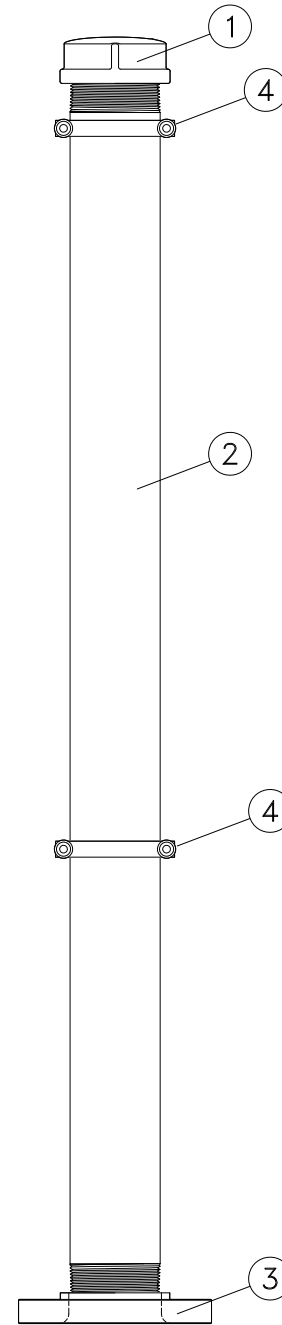
NOTES

- 1) COLOR: **WHITE**
- 2) APPROXIMATE WEIGHT: 42lbs.
- 3) SHIPPED LOOSE ASSEMBLY

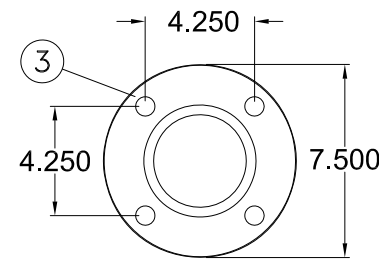
<input checked="" type="checkbox"/>	STD. FILLING SYSTEM DRAWING
<input type="checkbox"/>	NON-STD. FILLING SYSTEM DRAWING



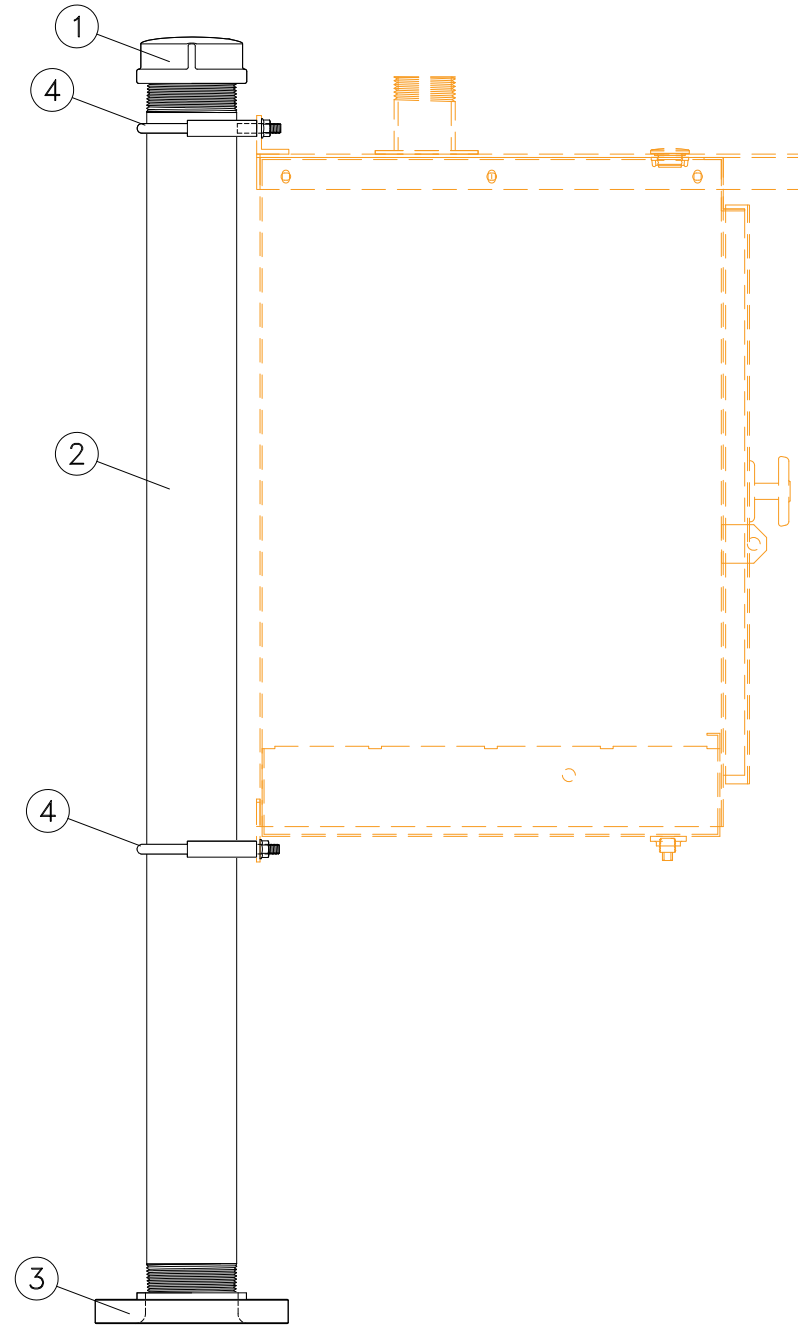
TOP VIEW



FRONT VIEW



BOTTOM VIEW



**SIDE VIEW
WITH COMPACT FUEL PORT
(FOR MOUNTING REFERENCE ONLY)**

3.00" POST ASSEMBLY (PN. 50113000)

FSOP-085

****CUSTOMER DRAWING****

FUEL ASSEMBLY PARTS (FS Assy-OPERATION 10)

ITEM	DESCRIPTION	QTY.
① PC	3.00" NPT. PIPE CAP, SCH. 40, 150#, BLK.	1
② N1	3.00"x48.00" NPT. NIPPLE, THREADED BOTH ENDS, SCH. 40, 150#, BLK.	1
③ BF	3.00" BOLT FLANGE, THREADED, FLAT FACED, SCH. 40, 150#, BLK.	1

FUEL ASSEMBLY PARTS (FLOOR STOCK)

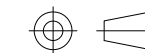
ITEM	DESCRIPTION	QTY.
④ UB	U-BOLT PIPE CLAMP FOR 3" PIPE, 3/8"-16 THREAD W/ 2 NUTS	2

SIMPLEX

SIMPLEX, INC.
5300 RISING MOON ROAD
SPRINGFIELD, ILLINOIS 62711-6228

THE INFORMATION HEREON IS THE PROPERTY OF SIMPLEX, INC. AND/OR ITS SUBSIDIARIES. WITHOUT WRITTEN PERMISSION ANY COPYING, TRANSMITTAL TO OTHERS AND USE EXCEPT THAT FOR WHICH IT IS LOANED IS PROHIBITED.
© 2019 SIMPLEX, INC.
ALL RIGHTS RESERVED

THIRD ANGLE PROJECTION



REV	DATE	DESCRIPTION	INT	APPR
A	08/02/2019	ORIGINAL DESIGN		

TOLERANCES
 X.XXX ± 0.005"
 X.XX ± 0.010"
 X.X ± 0.020"
 FRACTIONAL ± 1/32"
 ANGLES ± 1°
 SURFACES 125

APPROVED BY: AA
 DRAWN BY: AA
 SCALE: 1:7.3484
 SHEET SIZE: ANSI B
 JOB NUMBER: NA

DESCRIPTION
 48" POST ASSEMBLY
 FSOP-085 STANDARD
 (PN. 50113000)

Approved 08/06/2019

DRAWING NUMBER
ACD-00060604

SHEET NUMBER	REVISION
1/1	A

4

3

2

1