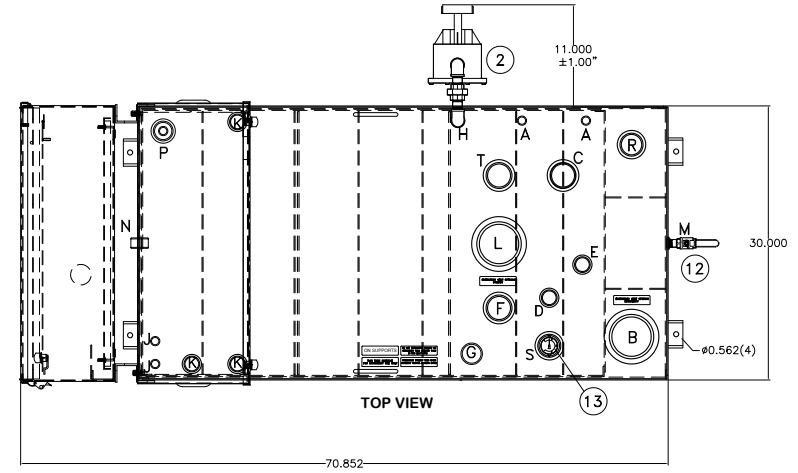


DUPLIX FILL				
ITEM	✓	STANDARD DAYTANK OPTIONS	PART #	QTY
1		X002- DELETION OF STD PUMP & MOTOR	NA	1
2		015- MANUAL HAND PUMP, 1"NPT, 1GAL PER STROKE	24748300	1
		SPRING CHECK VALVE, 1"NPT, BRASS	22924000	1
		BALL VALVE, 1"NPT, BRONZE	22918010	1
3		025- LOCKING MANUAL FUEL FILL CAP, 2" NPT	22108600	1
4		060- FUEL STRAINER, "Y", BRONZE, 0.75"NPT	30049210	1
5		060/087- BALL VALVE WITH FUEL STRAINER, 1"NPT	24010020	1
		TAILPIECE, MALE, .75"NPT	24010106	1
		TAILPIECE, MALE, 1.00"NPT	24010102	1
6		063- VENT CAP, 2"NPT ***SHIP LOOSE***	22953000	1
7		064- EMERGENCY VENT, 4"NPT, ALUM.	22955001	2
		NIPPLE, 4"x12", STD BLK	22517008	2
8		065- PRIMARY DRAIN HAND VALVE, .50"NPT	22918050	1
9		080B- SOLENOID VALVE, .75"NPT, 115VAC, N.C.	21704100A	1
		080C- SOLENOID VALVE, 1"NPT, 115VAC, N.C.	21704400A	1
10		087- MANUAL FUEL SHUT-OFF VALVE, 75"NPT, BRZ	22918100	1
11		180- WEATHERPROOF MODIFICATION **SEE CONTROLLER**	13817100	1
12		192- SECONDARY DRAIN HAND VALVE, .50"NPT	22918050	1
13		215- MECHANICAL DIAL LEVEL GAUGE, 46"	15040003	1
14		326- CRITICAL HIGH FUEL CUTOUT FLOAT	25242990	1
15		333- CRITICAL LOW FUEL CUTOUT FLOAT 100-400	25242981	1

ITEM	✓	STANDARD DAYTANK OPTIONS	PART #	QTY
16		345- DUPLIX FILL PUMP AND MOTOR	NA	1
		399- 2GPM PUMP, .50" INPUT, .375" OUTPUT, ALUM.	24741020	1
		404- 4GPM PUMP, .50" INPUT, .375" OUTPUT, ALUM.	24741050	1
		407- 7GPM PUMP, .75" INPUT, .50" OUTPUT, ALUM.	24743100	1
17		410- 10GPM PUMP, .75" INPUT, .50" OUTPUT, ALUM.	24747250	1
		502- 2GPM PUMP, .50" INPUT/OUTPUT, CAST IRON	24740002	1
		505- 5GPM PUMP, .75" INPUT/OUTPUT, CAST IRON	24740005	1
		507- 7GPM PUMP, 1.00" INPUT/OUTPUT, CAST IRON	24740007	1
		600- .33HP, 115VAC, 1PH, 60HZ, ODP, .625" SHAFT	24626100A	1
		645- .33HP, 115VAC, 1PH, 60HZ, TEFC, .625" SHAFT	24626106	1
18		700- .50HP, 115VAC, 1PH, 60HZ, ODP, .625" SHAFT	24630000A	1
		745- .50HP, 115VAC, 1PH, 60HZ, TEFC, .625" SHAFT	24631000A	1
		845- .75HP, 115VAC, 1PH, 60HZ, TEFC, .625" SHAFT	24636500A	1
19	✓	191- SECONDARY CONTAINMENT LEAK FLOAT	60000083	1
20	✓	STANDARD LEVEL FLOATSWITCH ASSEMBLY, 100-400	25242980	1
	✓	STANDARD SUBPANEL	70001000	1
	✓	SRS CONTROL PCB	50001601	1
21	✓	070A- CHECK VALVE, .75"NPT, BRONZE	22923501	AR

PORT	DESCRIPTION	SIZE
A	ENGINE SUPPLY DROP TUBE - (QTY. 2) (1.000 CLEARANCE TO BOTTOM)	0.75" NPT, MALE
B	SECONDARY TANK E-VENT PORT	4.00" NPT, FEMALE
C	OVERFLOW PORT	2.00" NPT, FEMALE
D	ENGINE RETURN PORT	1.00" NPT, FEMALE
E	EXTRA PIPE FLANGE	1.00" NPT, FEMALE
F	TANK VENT PORT	2.00" NPT, FEMALE
G	MANUAL FILL PORT W/ BLEED HOLE (6.000 CLEARANCE TO BOTTOM)	2.00" NPT, MALE
H	HAND PUMP DROP TUBE (1.000 CLEARANCE TO BOTTOM)	0.75" NPT, MALE
J	PUMP CONNECTION TO TANK (QTY. 3) (1.000 CLEARANCE TO BOTTOM)	0.75" NPT, MALE
K	FLOATSWITCH MOUNTING PORT (QTY. 3)	1.00" NPT, FEMALE
L	PRIMARY TANK E-VENT	4.00" NPT, FEMALE
M	SECONDARY TANK DRAIN PORT	0.50" NPT, FEMALE
N	PRIMARY TANK DRAIN PORT	0.50" NPT, FEMALE
P	RETURN PUMP CONNECTION TO TANK DROP TUBE DEPENDENT ON PUMP INLET SIZE (1.000 CLEARANCE TO BOTTOM)	1.50" NPT, FEMALE
R	LEAK SENSOR PORT	1.50" NPT, FEMALE
S	EXTRA PORT/MECHANICAL DIAL LEVEL GAUGE PORT	1.50" NPT, FEMALE
T	EXTRA PORT	2.00" NPT, FEMALE



- NOTES:
- CONSTRUCTION: 12 GA. H.R.S.  
TANK TOP: 10 GA. H.R.S.
  - LISTING: UL 142
  - RATING: ATMOSPHERIC TANK  
TESTED TO 3 PSI
  - ALL DIMENSIONS ±.125"
  - TANK COLOR = SIMPLEX CAROLINA VERMILLION  
CONTROLLER COLOR = SIMPLEX COASTAL HAZE
  - SECONDARY CONTAINMENT CAPACITY 354 GALLONS.
  - ESTIMATED WEIGHT: 890LBS.

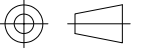
**SIMPLEX**

SIMPLEX, INC.  
5300 RISING MOON ROAD  
SPRINGFIELD, ILLINOIS 62711-6228

THE INFORMATION HEREON IS THE  
PROPERTY OF SIMPLEX, INC. AND/OR  
ITS SUBSIDIARIES. WITHOUT WRITTEN  
PERMISSION ANY COPYING,  
TRANSMITTAL TO OTHERS AND USE  
EXCEPT THAT FOR WHICH IT IS  
LOANED IS PROHIBITED.

© 2017 SIMPLEX, INC.  
ALL RIGHTS RESERVED

THIRD ANGLE PROJECTION



REV	DATE	DESCRIPTION
F	01/03/2020	Added lifting eyes, revised CV's.
E	05/01/2019	Revised for latest updates.
D	01/11/2019	Revised for Onken Tanks.
C	10/22/2018	REVISED LEAK FLOAT PART NUMBER.
B	03/07/2018	Revised port locations, corrected pump&motor PN's.
A	08/15/2017	Original Design.

TOLERANCES  
X.XXX ± 0.005"  
X.XX ± 0.010"  
X.X ± 0.020"  
FRACTIONAL ± 1/32"  
ANGLES ± 1°  
SURFACES 125

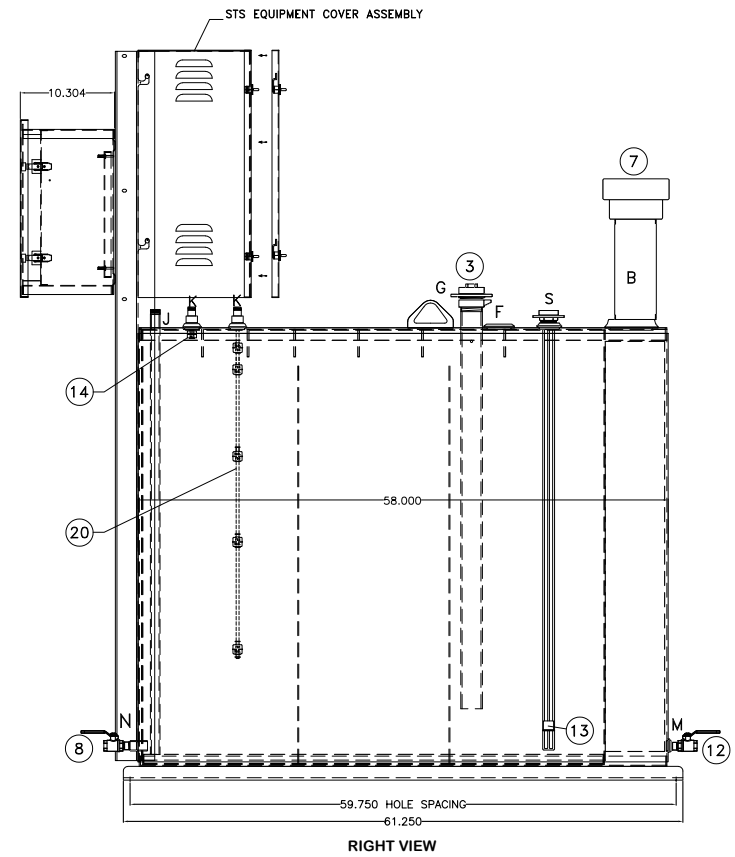
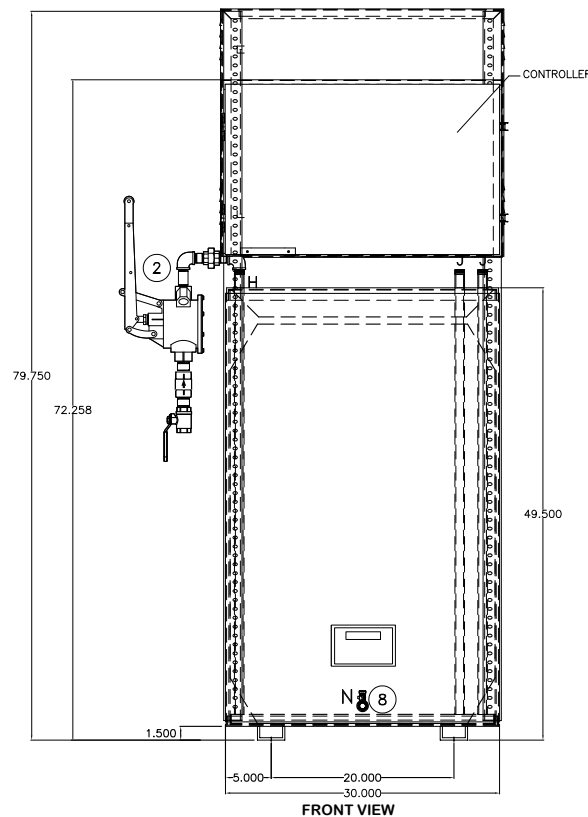
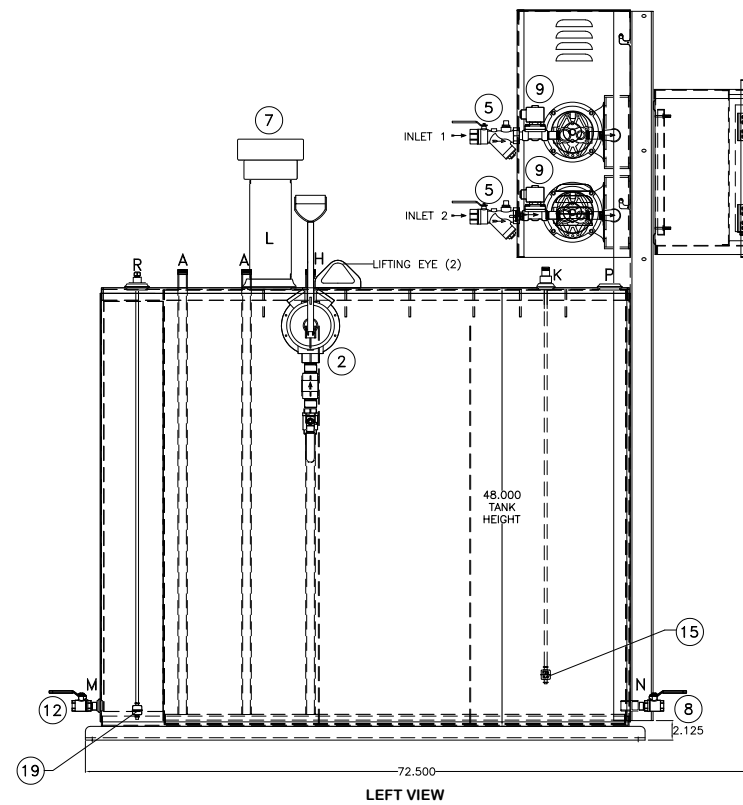
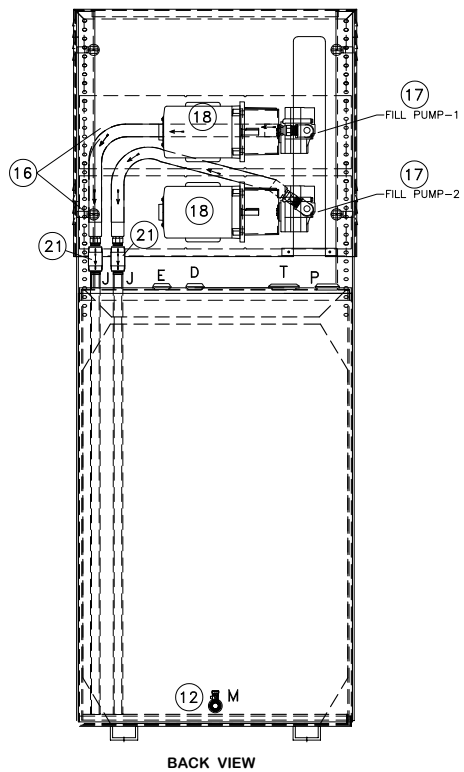
APPROVED BY: LT  
DRAWN BY: LT  
SCALE: 1:20.6929  
SHEET SIZE: ANSI B  
JOB NUMBER: NA

DESCRIPTION  
STS300  
Technology Series Day Tank  
UL142

Approved 01/03/2020

DRAWING NUMBER  
ACD-00034459

SHEET NUMBER: 1/1  
REVISION: F



4

3

2

1