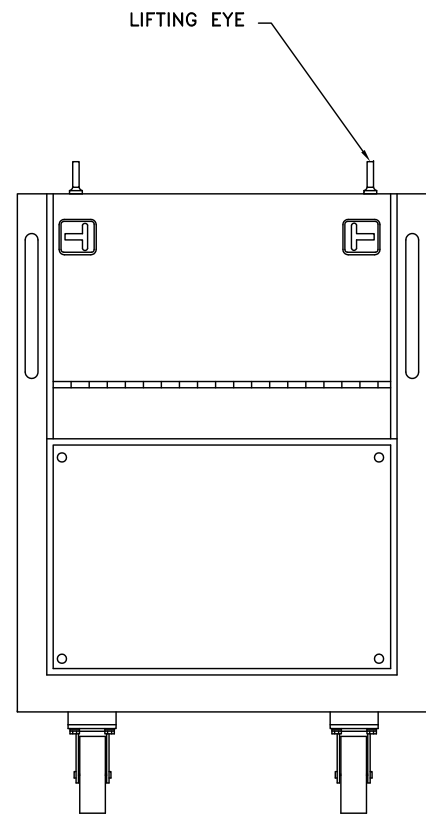


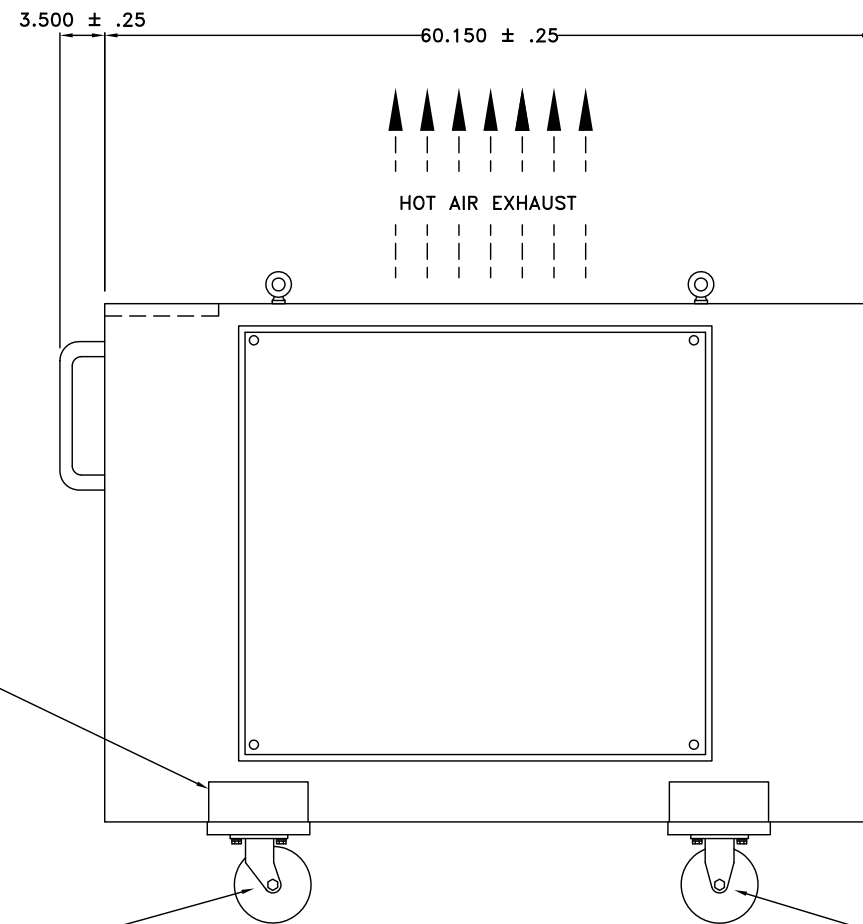
TOP VIEW

NOTES:

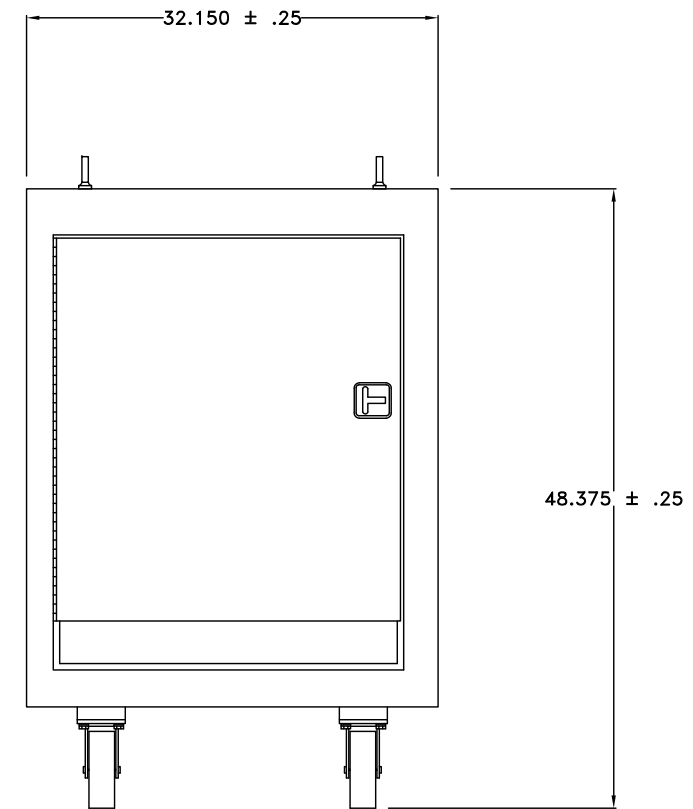
- 1: CONSTRUCTION: FORMED AND WELDED SHEET STEEL
- 2: FINISH: ABRASIVE BLASTED OR CHEMICALLY CLEANED AND PHOSPHATIZED, POWDER COATED ASA GRAY



FRONT VIEW



SIDE VIEW



REAR VIEW

FORK LIFT CHANNELS

FRONT CASTERS (SWIVEL)

REAR CASTERS (FIXED)

THE INFORMATION HEREON IS THE PROPERTY OF SIMPLEX, INC., AND/OR ITS SUBSIDIARIES. WITHOUT WRITTEN PERMISSION ANY COPYING, TRANSMITTAL TO OTHERS AND USE EXCEPT THAT FOR WHICH IT IS LOANED IS PROHIBITED. DESIGN SUBJECT TO CHANGE WITHOUT NOTICE. ©2010 SIMPLEX, INC. ALL RIGHTS RESERVED.

SIMPLEX			SPRINGFIELD, ILLINOIS
SCALE :	APPROVED BY :	DRAWN BY : RER	
DATE : 08-02-10		REVISED :	
DYNAMTIE LOAD BANK PICTORIAL			
STANDARD			DRAWING NUMBER 211932