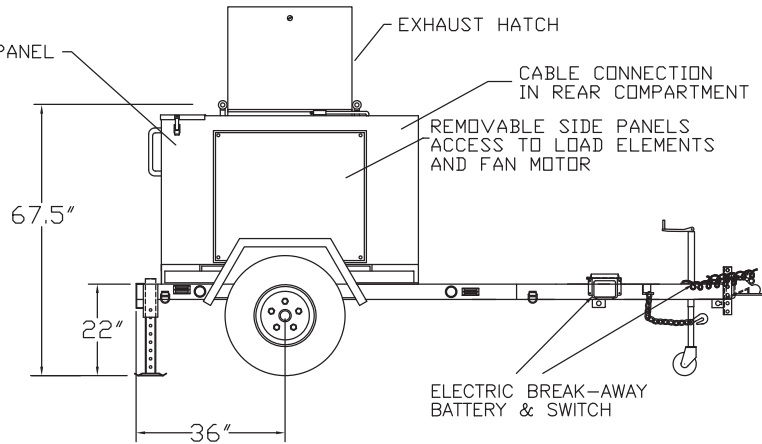
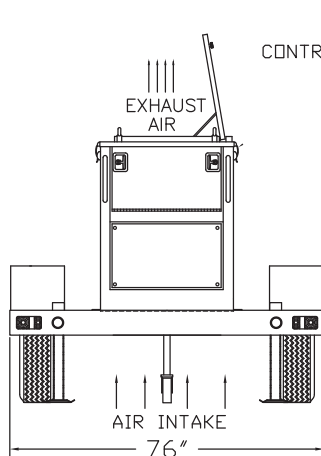
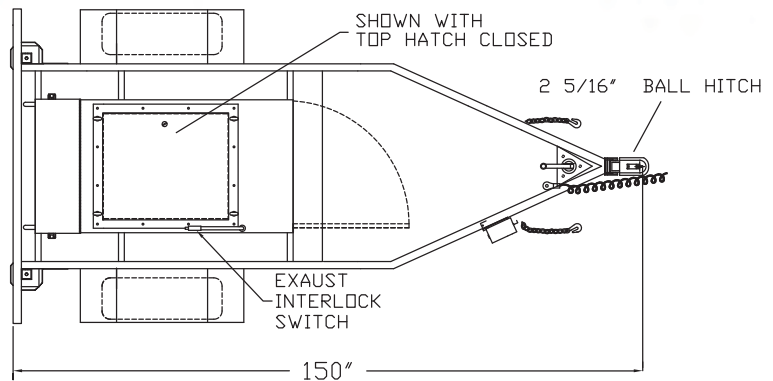
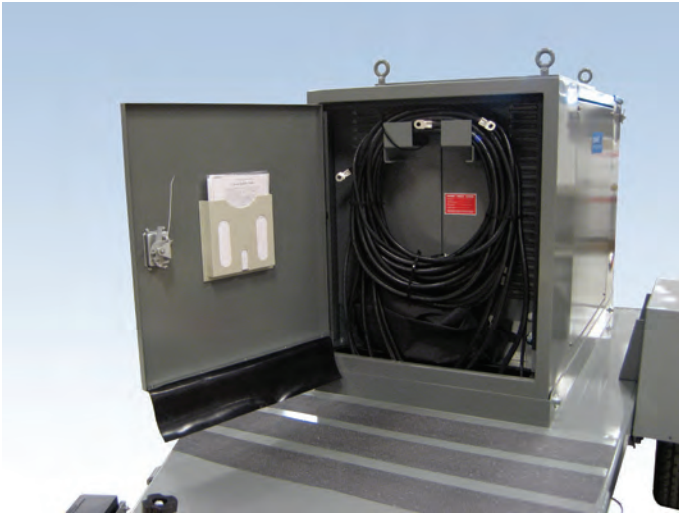


# dynaMITE Trailer

315KW, 410KW; 240/480V, 5KW Resolution





## DynaMite 300

### Capacity Detail

|                   |         |         |         |         |         |         |
|-------------------|---------|---------|---------|---------|---------|---------|
| <b>Volt. (AC)</b> | 480V,3Ø | 416V,3Ø | 380V,3Ø | 240V,3Ø | 208V,3Ø | 240V,1Ø |
| <b>KW(1.0pf)</b>  | 315     | 238     | 197     | 289     | 217     | 192.5   |

### Load Step Detail

| Qty. | KW Each Step (1.0 p.f.) |         |         |         |         |         |
|------|-------------------------|---------|---------|---------|---------|---------|
|      | 480V,3Ø                 | 416V,3Ø | 380V,3Ø | 240V,3Ø | 208V,3Ø | 240V,1Ø |
| 1    | -                       | -       | -       | 1.25    | .94     | .84     |
| 1    | -                       | -       | -       | 2.5     | 1.9     | 1.7     |
| 1    | 5                       | 3.75    | 3.1     | 5       | 3.75    | 3.4     |
| 1    | 10                      | 7.5     | 6.3     | 10      | 7.5     | 6.7     |
| 1    | 20                      | 15      | 12.6    | 20      | 15      | 13      |
| 3    | 40                      | 30      | 25      | 40      | 30      | 26      |
| 2    | 80                      | 60      | 50      | 80      | 60      | 52      |

## DynaMite 400

### Capacity Detail

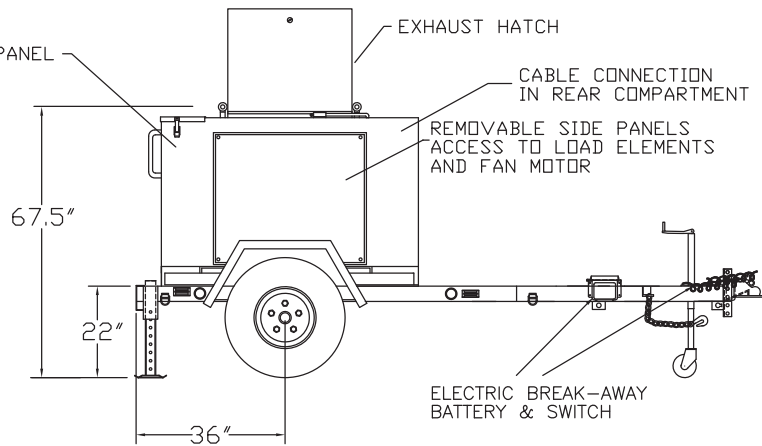
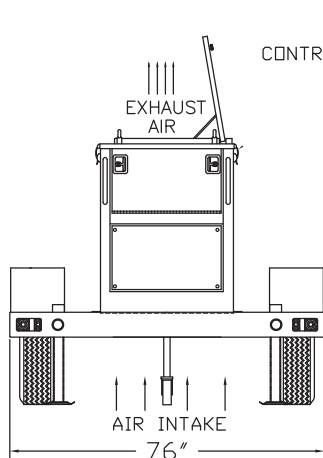
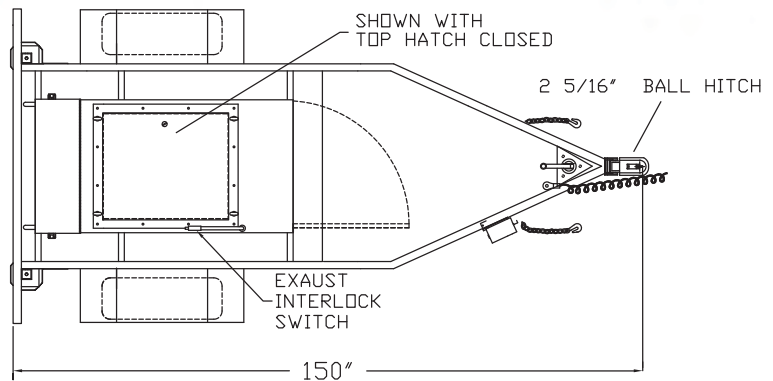
|                   |         |         |         |         |         |         |
|-------------------|---------|---------|---------|---------|---------|---------|
| <b>Volt. (AC)</b> | 480V,3Ø | 416V,3Ø | 380V,3Ø | 240V,3Ø | 208V,3Ø | 240V,1Ø |
| <b>KW(1.0pf)</b>  | 410     | 308     | 257     | 410     | 308     | 273     |

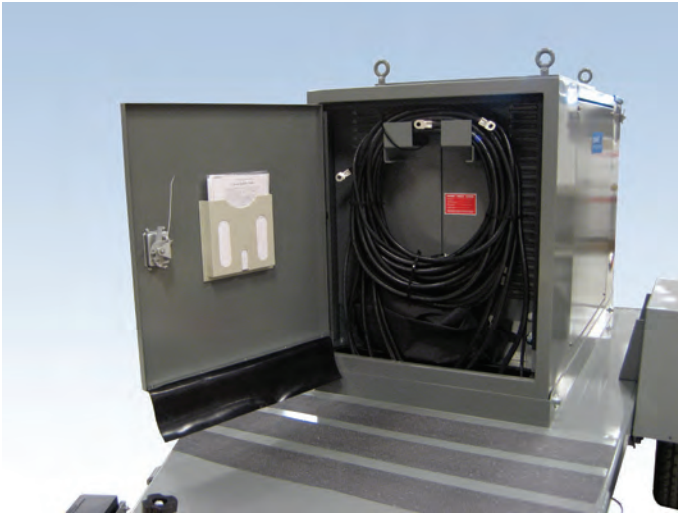
### Load Step Detail

| Qty. | KW Each Step (1.0 p.f.) |         |         |         |         |         |
|------|-------------------------|---------|---------|---------|---------|---------|
|      | 480V,3Ø                 | 416V,3Ø | 380V,3Ø | 240V,3Ø | 208V,3Ø | 240V,1Ø |
| 1    | 5                       | 3.75    | 3.1     | 5       | 3.75    | 3.3     |
| 1    | 10                      | 7.5     | 6.3     | 10      | 7.5     | 6.7     |
| 1    | 20                      | 15      | 12.6    | 20      | 15      | 13.3    |
| 1    | 25                      | 18.75   | 16      | 25      | 18.75   | 16.7    |
| 1    | 50                      | 37.5    | 31      | 50      | 37.5    | 33.3    |
| 3    | 100                     | 75      | 63      | 100     | 75      | 66.7    |

# dynaMITE Trailer

315KW, 410KW; 240/480V, 5KW Resolution





## DynaMite 300

### Capacity Detail

|                   |         |         |         |         |         |         |
|-------------------|---------|---------|---------|---------|---------|---------|
| <b>Volt. (AC)</b> | 480V,3Ø | 416V,3Ø | 380V,3Ø | 240V,3Ø | 208V,3Ø | 240V,1Ø |
| <b>KW(1.0pf)</b>  | 315     | 238     | 197     | 289     | 217     | 192.5   |

### Load Step Detail

| KW Each Step (1.0 p.f.) |         |         |         |         |         |         |
|-------------------------|---------|---------|---------|---------|---------|---------|
| Qty.                    | 480V,3Ø | 416V,3Ø | 380V,3Ø | 240V,3Ø | 208V,3Ø | 240V,1Ø |
| 1                       | -       | -       | -       | 1.25    | .94     | .84     |
| 1                       | -       | -       | -       | 2.5     | 1.9     | 1.7     |
| 1                       | 5       | 3.75    | 3.1     | 5       | 3.75    | 3.4     |
| 1                       | 10      | 7.5     | 6.3     | 10      | 7.5     | 6.7     |
| 1                       | 20      | 15      | 12.6    | 20      | 15      | 13      |
| 3                       | 40      | 30      | 25      | 40      | 30      | 26      |
| 2                       | 80      | 60      | 50      | 80      | 60      | 52      |

## DynaMite 400

### Capacity Detail

|                   |         |         |         |         |         |         |
|-------------------|---------|---------|---------|---------|---------|---------|
| <b>Volt. (AC)</b> | 480V,3Ø | 416V,3Ø | 380V,3Ø | 240V,3Ø | 208V,3Ø | 240V,1Ø |
| <b>KW(1.0pf)</b>  | 410     | 308     | 257     | 410     | 308     | 273     |

### Load Step Detail

| KW Each Step (1.0 p.f.) |         |         |         |         |         |         |
|-------------------------|---------|---------|---------|---------|---------|---------|
| Qty.                    | 480V,3Ø | 416V,3Ø | 380V,3Ø | 240V,3Ø | 208V,3Ø | 240V,1Ø |
| 1                       | 5       | 3.75    | 3.1     | 5       | 3.75    | 3.3     |
| 1                       | 10      | 7.5     | 6.3     | 10      | 7.5     | 6.7     |
| 1                       | 20      | 15      | 12.6    | 20      | 15      | 13.3    |
| 1                       | 25      | 18.75   | 16      | 25      | 18.75   | 16.7    |
| 1                       | 50      | 37.5    | 31      | 50      | 37.5    | 33.3    |
| 3                       | 100     | 75      | 63      | 100     | 75      | 66.7    |