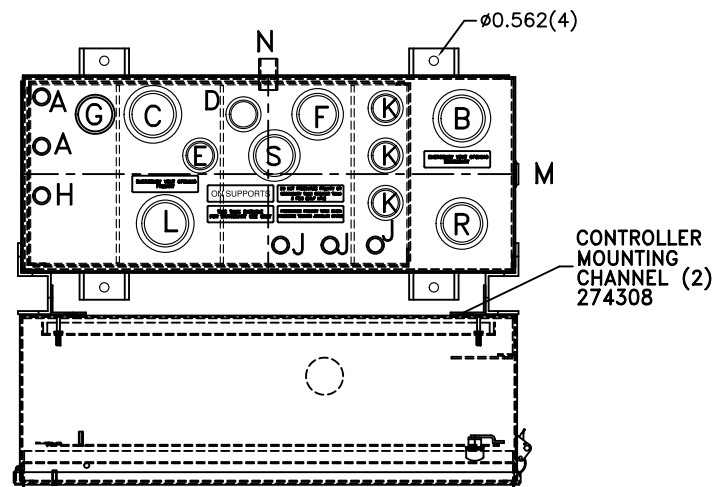


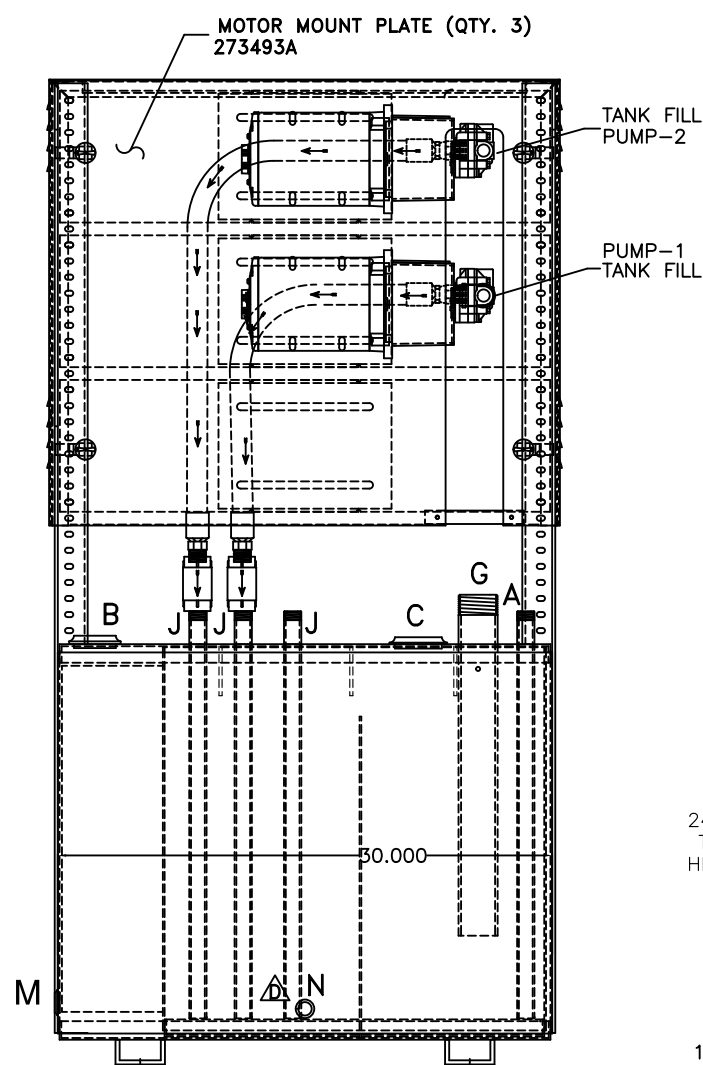
PORT	DESCRIPTION	SIZE
A	ENGINE SUPPLY DROP TUBE - (QTY. 2) (1.000 CLEARANCE TO BOTTOM)	0.75" NPT, MALE
B	SECONDARY CONTAINMENT E-VENT	2.00" NPT, FEMALE
C	OVERFLOW PORT	2.00" NPT, FEMALE
D	ENGINE RETURN PORT	1.00" NPT, FEMALE
E	EXTRA PIPE FLANGE	1.00" NPT, FEMALE
F	TANK VENT PORT	1.50" NPT, FEMALE
G	MANUAL FILL PORT W/ BLEED HOLE (6.000 CLEARANCE TO BOTTOM)	2.00" NPT, MALE
H	HAND PUMP DROP TUBE (1.000 CLEARANCE TO BOTTOM)	0.75" NPT, MALE
J	PUMP CONNECTION TO TANK (QTY. 3) (1.000 CLEARANCE TO BOTTOM)	0.75" NPT, MALE
K	FLOATSWITCH MOUNTING PORT (QTY. 3)	1.00" NPT, FEMALE
L	PRIMARY TANK EMERGENCY VENT	2.00" NPT, FEMALE
M	SECONDARY TANK DRAIN PORT	0.50" NPT, FEMALE
N	PRIMARY TANK DRAIN	0.50" NPT, FEMALE
R	LEAK SENSOR PORT	1.50" NPT, FEMALE
S	EXTRA PORT	1.50" NPT, FEMALE



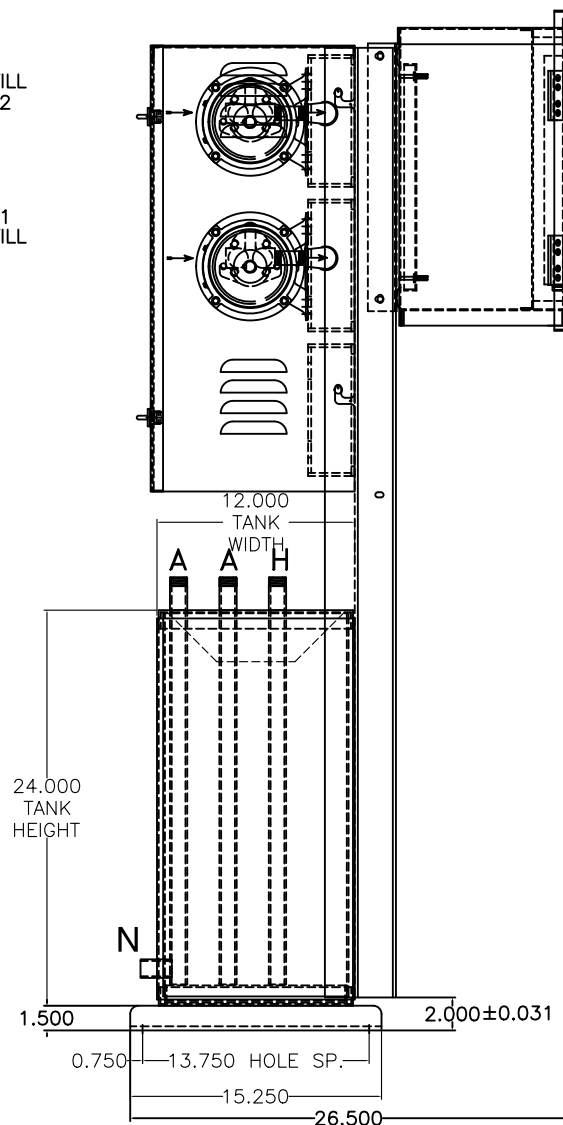
TOP VIEW

NOTES:

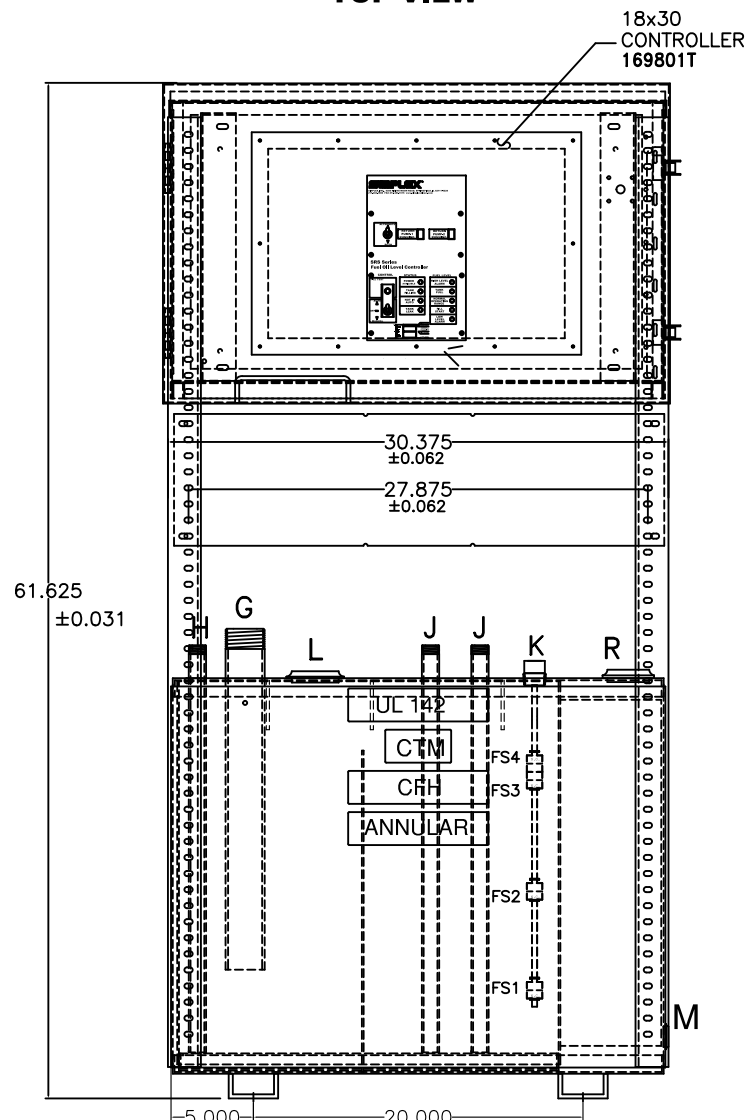
- 1) CONSTRUCTION: 12 GA. H.R.S.
TANK TOP: 10 GA. H.R.S.
- 2) LISTING: UL 142
- 3) RATING: ATMOSPHERIC TANK
TESTED TO 3 PSI
- 4) ALL DIMENSIONS ±.125"
- 5) TANK COLOR = SIMPLEX CAROLINA VERMILLION
CONTROLLER COLOR = SIMPLEX COASTAL HAZE



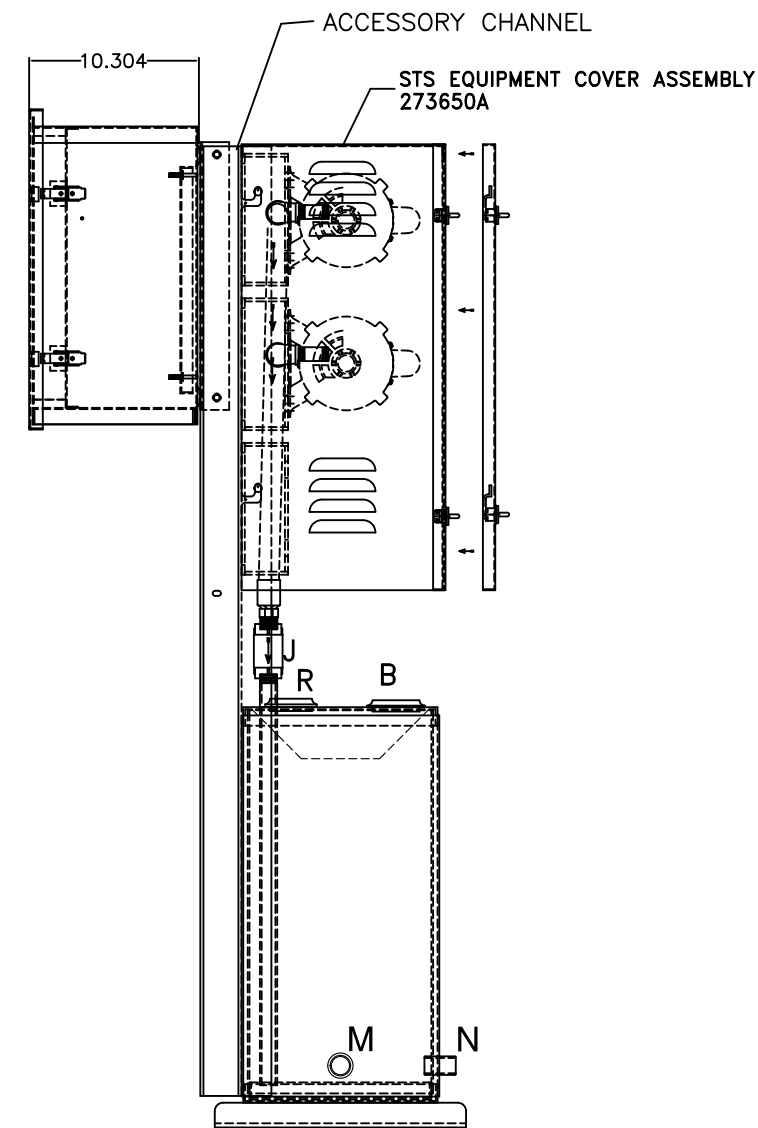
BACK VIEW



LEFT VIEW



FRONT VIEW



RIGHT VIEW

SIMPLEX		SPRINGFIELD, ILLINOIS
SCALE: 1/8"	APPROVED BY:	DRAWN BY: JDS
DATE: 03/02/16		REVISED:
SIMPLEX TECHNOLOGY SERIES		STS 25 GALLON
FUEL OIL DAY TANK		
		273467E