

PART REVISIONS & UPDATES

| REV | DATE | DESCRIPTION | INT | APPR |
|-----|------|-------------|-----|------|
| | | | | |
| | | | | |
| | | | | |
| | | | | |
| | | | | |
| | | | | |
| | | | | |
| | | | | |
| | | | | |

PART STATE:

DRAWING STATE:
Draft - Not For Production Use

TOLERANCES
X.XXX ± 0.025"
X.XX ± 0.050"
X.X ± 0.100"
FRACTIONAL ± 1/16"
ANGLES ± 2.5°
SURFACES 125

APPROVED BY:
DRAWN BY:
SCALE: 1:10
SHEET SIZE: B-SIZE
SHEET TITLE: Load Bank
W.O. #: Infinity
WEIGHT: 200.0 lbs

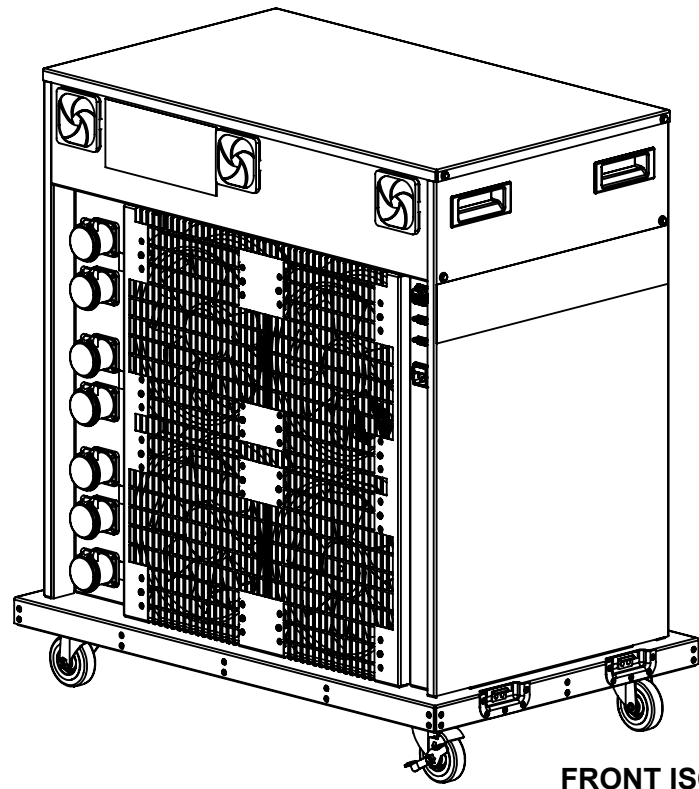
PROJECT
Infinity

PART DESCRIPTION
Infinity - Enclosed Assembly Pictorial

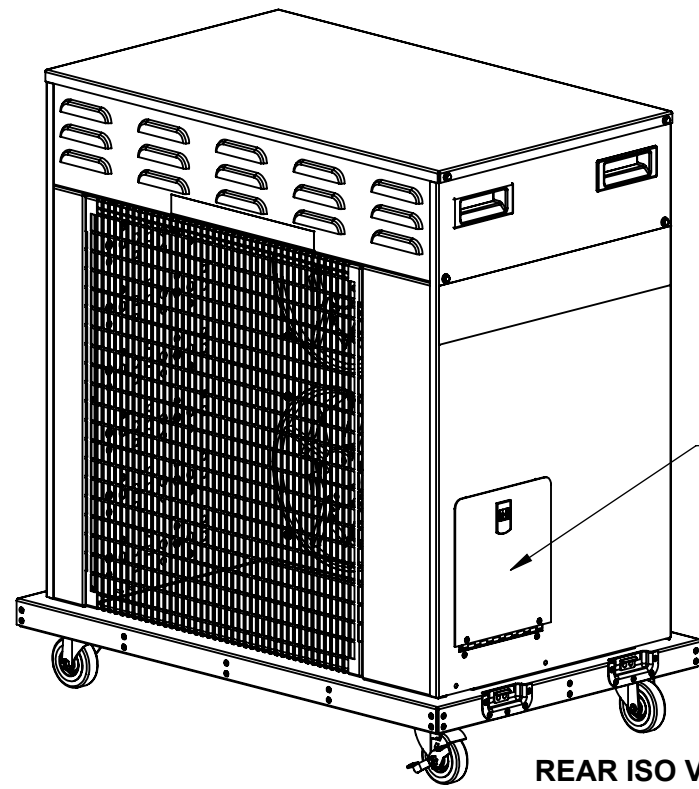
PART NUMBER
ASM-00020367

DRAWING NUMBER
DWG-00024607

SHEET NUMBER 2 / 2



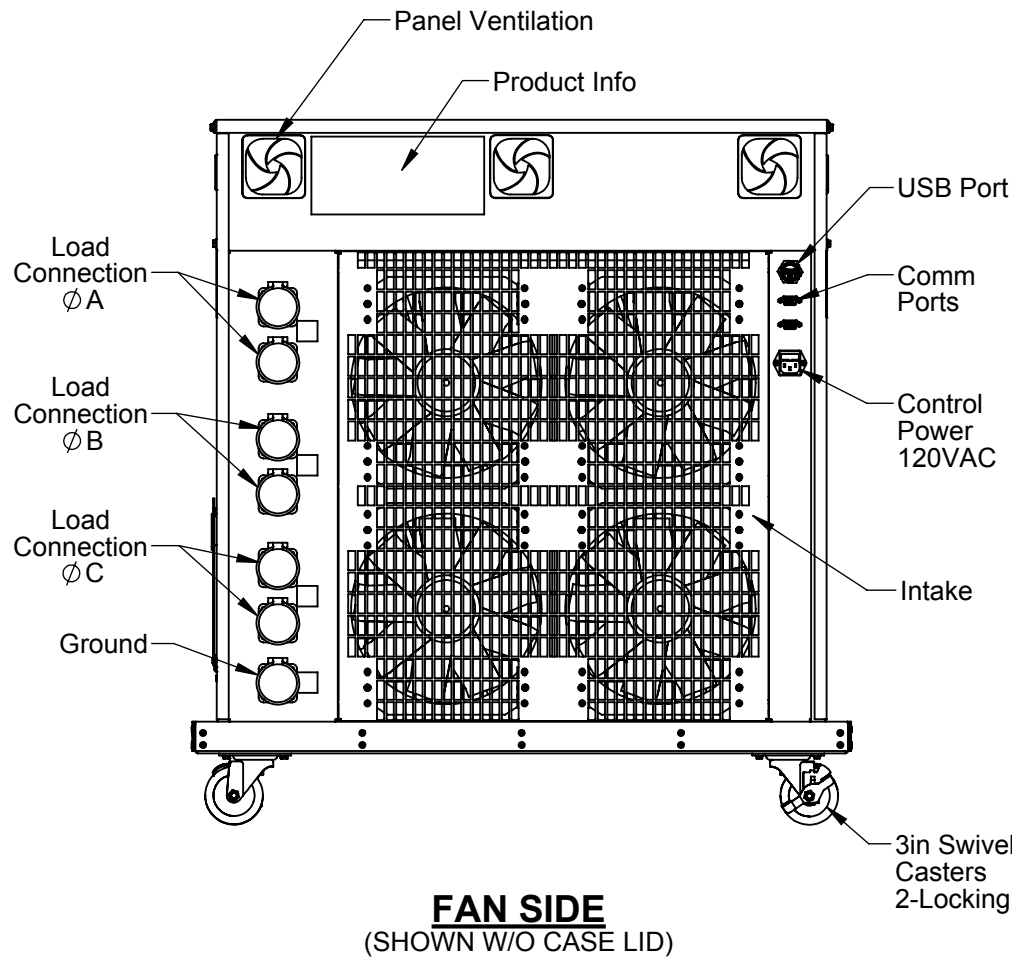
FRONT ISO VIEW



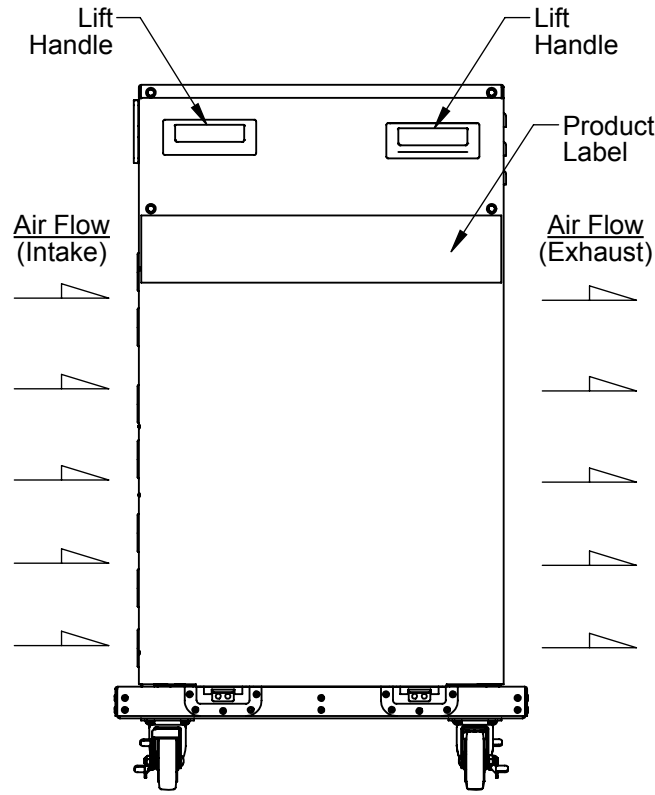
REAR ISO VIEW

SHOWN LESS CASE LID ENCLOSURE FOR CLARITY ENG REF ONLY

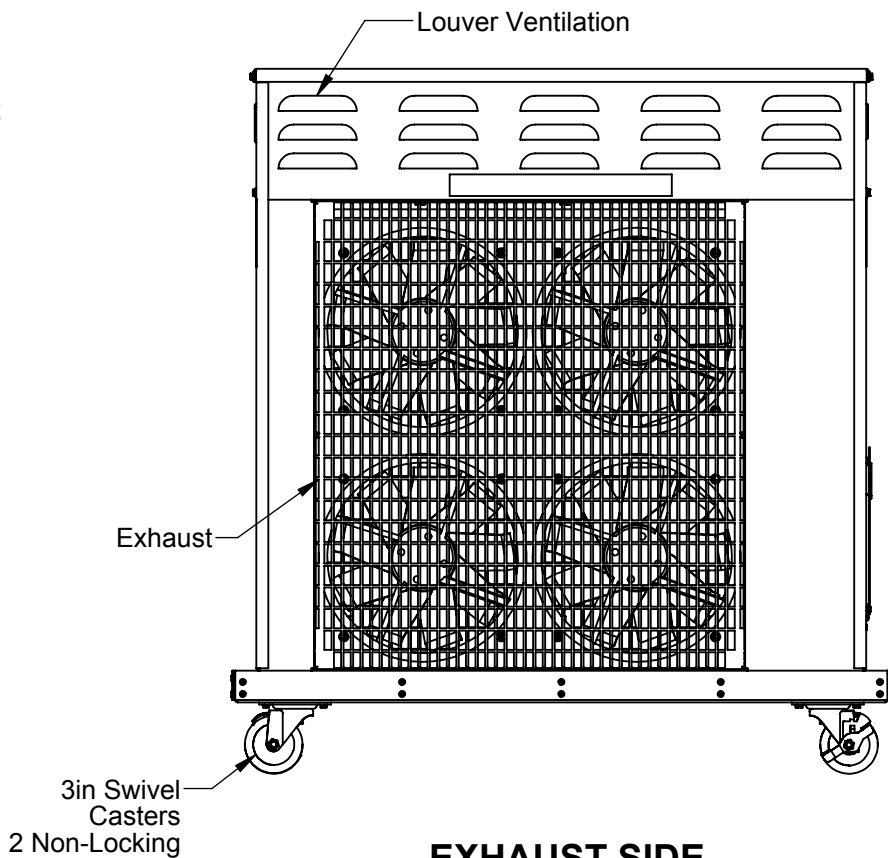
HMI & Cable Storage Compartment



FAN SIDE
(SHOWN W/O CASE LID)



FRONT SIDE
(SHOWN W/O CASE LID)



EXHAUST SIDE
(SHOWN W/O CASE LID)

A

B

C

D

A

B

C

D

4

3

2

1

4

3

2

1