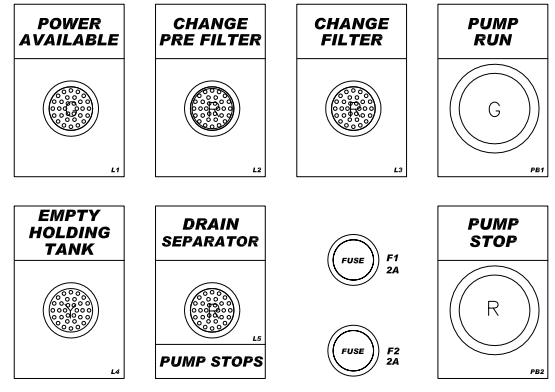


SIMPLEX FOR USE WITH DIESEL FUEL ONLY, DO NOT USE WITH GASOLINE

Joe Filter
Diesel Filtration System
SIMPLEX, INC.,
SPRINGFIELD, ILLINOIS, U.S.A.
217-483-1600
www.simplexdirect.com

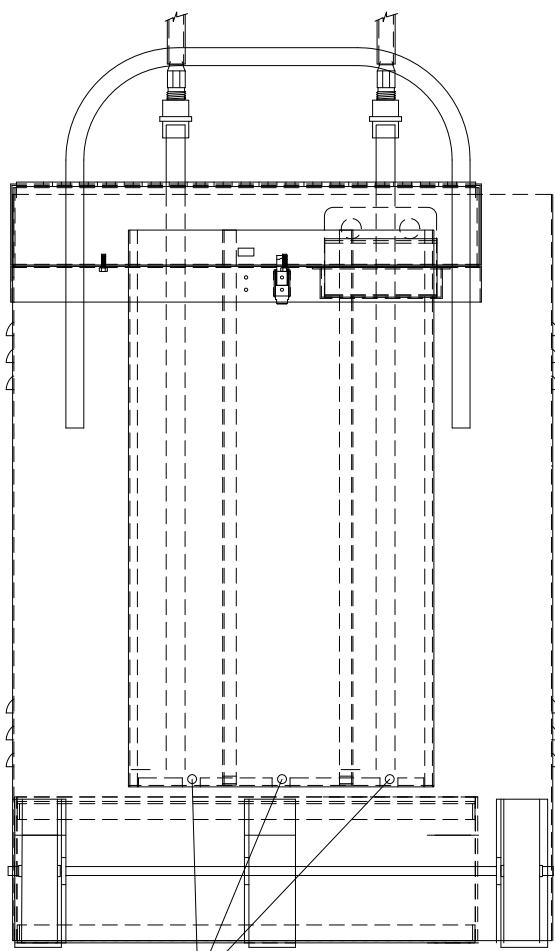
PUMP CAPACITY 5 GPM
PUMP LIFT 10 FEET MAXIMUM
FLUID VISCOSITY 32-50 SSU
PUMP MOTOR HP 0.33
VOLTAGE 115VAC, 1Ø, 60HZ

FULL LOAD AMPS: 7.7A
SYSTEM TOTAL
MOTOR AMPS: 7.2
80 MESH BASKET STRAINER
5 MICRON FINISH FILTER
5 P.P.M. WATER SEPARATOR

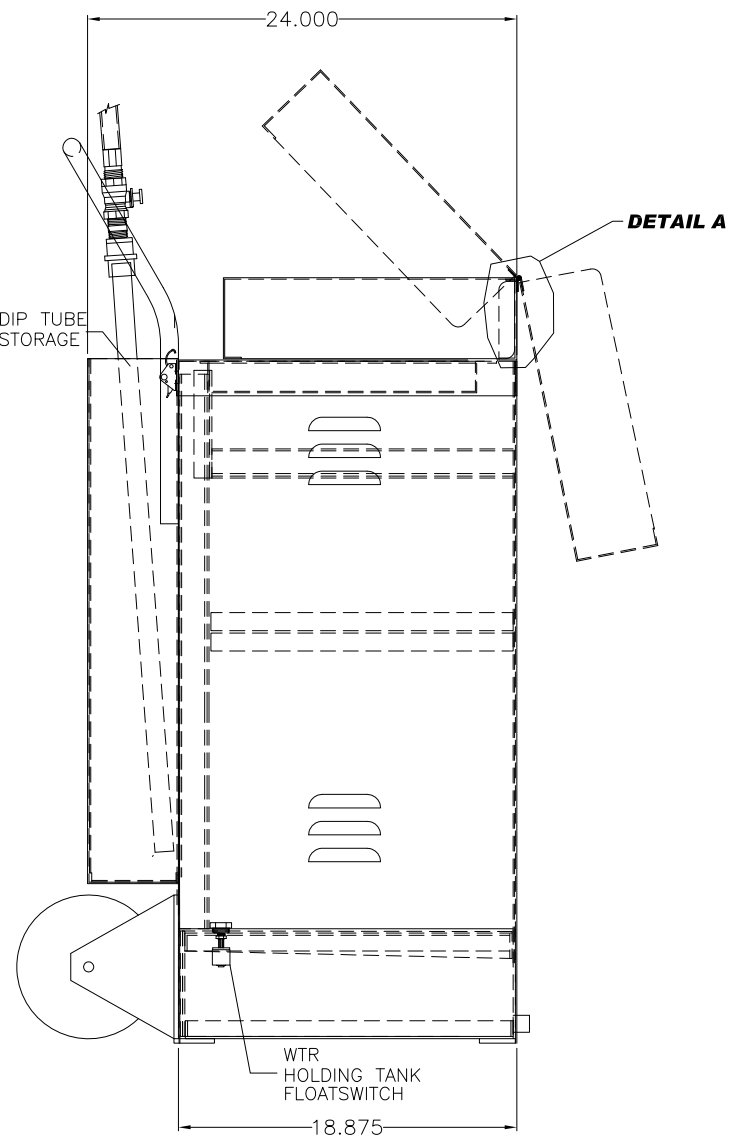


DISPOSE OF WASTE WATER AS HAZARDOUS WASTE

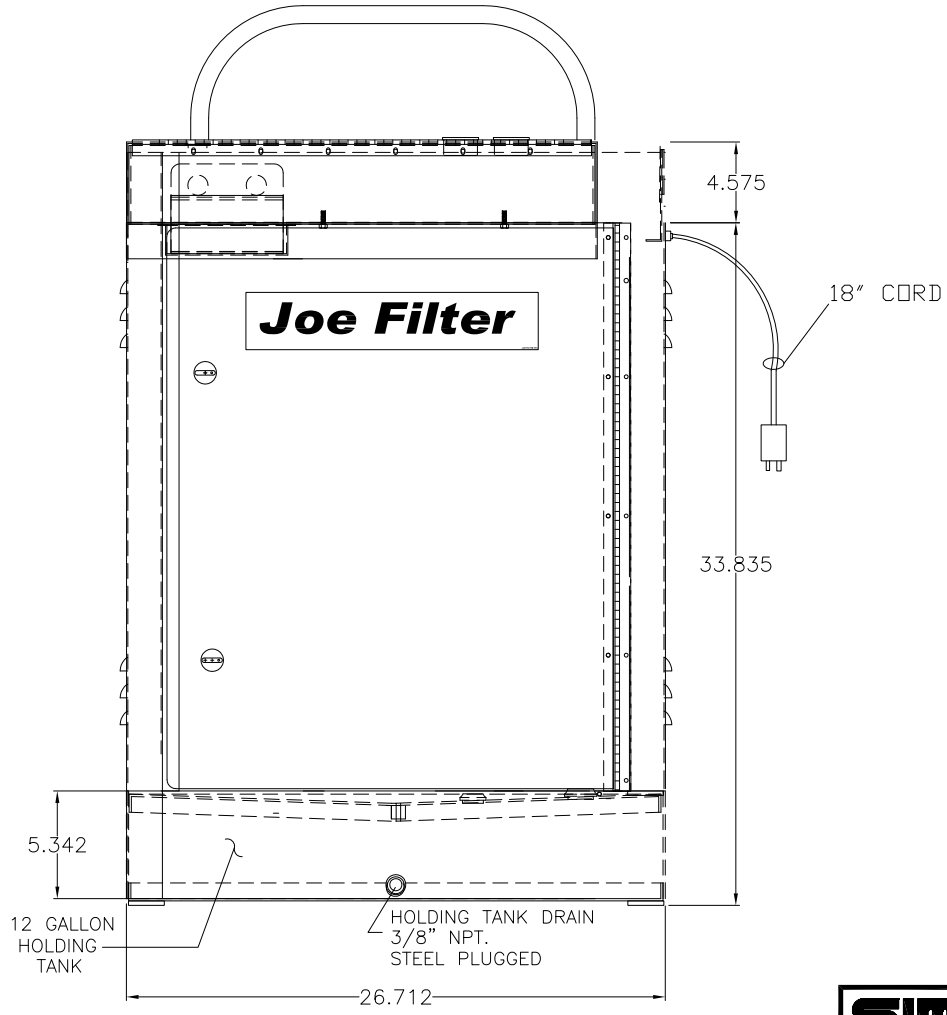
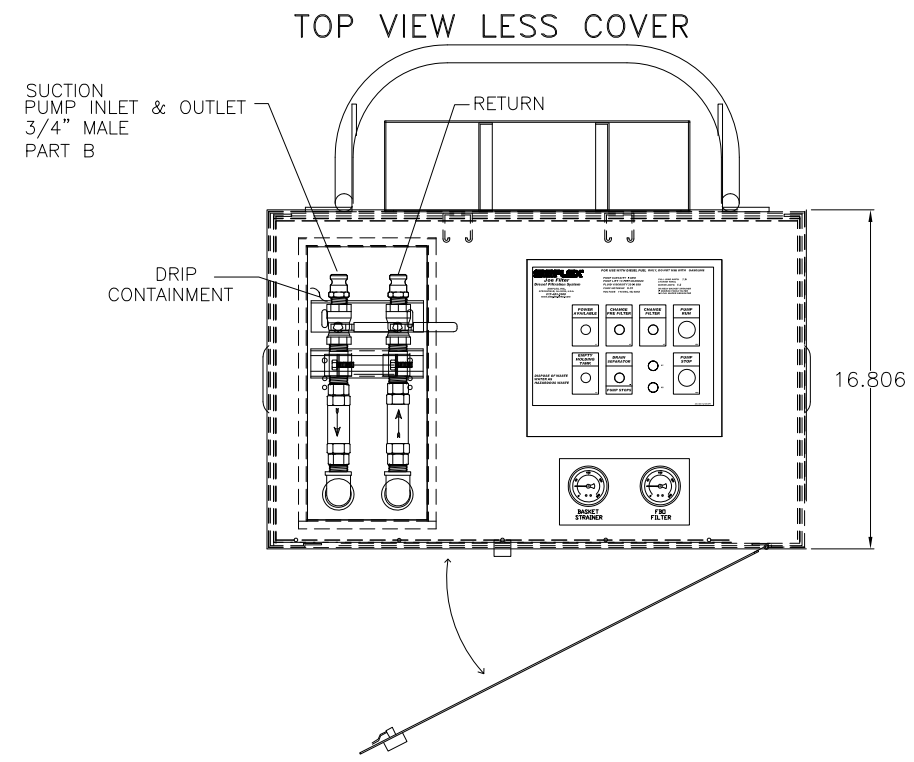
NAME PLATE DETAIL



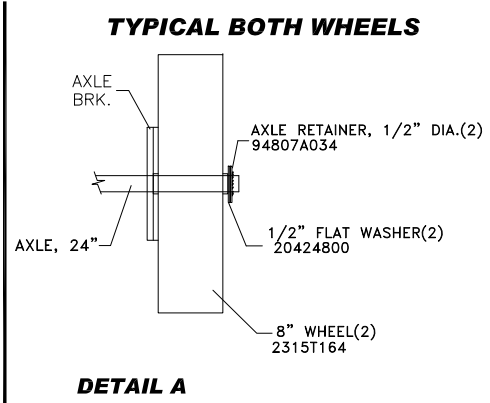
BACK VIEW



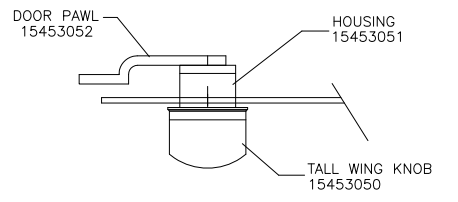
LEFT VIEW



FRONT VIEW LESS DOOR



DETAIL A



DETAIL B LATCH INSTALLATION

THE INFORMATION HEREON IS THE PROPERTY OF SIMPLEX, INC., AND/OR ITS SUBSIDIARIES. WITHOUT WRITTEN PERMISSION ANY COPYING, TRANSMITTAL TO OTHERS AND USE EXCEPT THAT FOR WHICH IT IS LOANED IS PROHIBITED. DESIGN SUBJECT TO CHANGE WITHOUT NOTICE.
©2012 SIMPLEX, INC. ALL RIGHTS RESERVED.

SIMPLEX		SPRINGFIELD, ILLINOIS	
SCALE :	APPROVED BY :	DRAWN BY : RER	
DATE : 06-08-12		REVISED :	
JOEFILTER PICTORIAL		DRAWING NUMBER	
STANDARD		211959A	