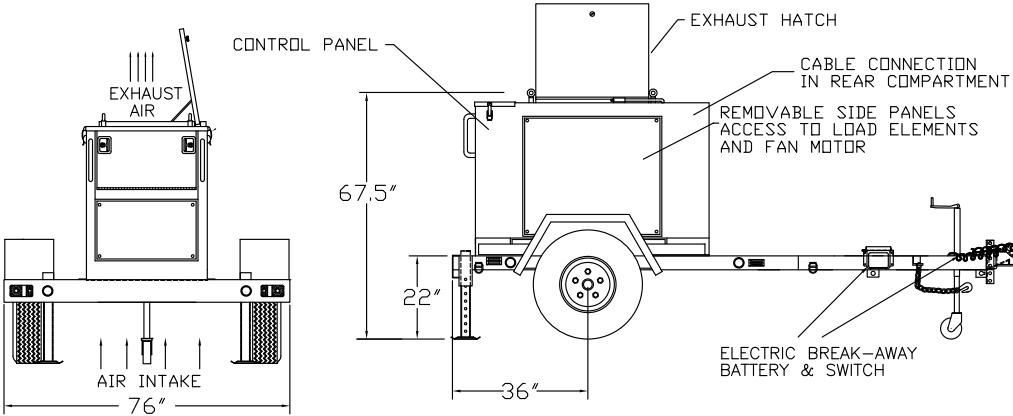
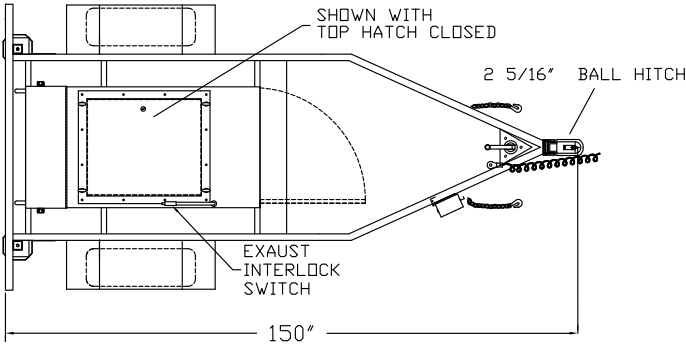


DynaMite Trailers

315KW, 410KW; 240/480V, 5KW RESOLUTION





DynaMite 300

See bulletin 4A30983E

Capacity Detail

Volt. (AC)	480V,3Ø	416V,3Ø	380V,3Ø	240V,3Ø	208V,3Ø	240V,1Ø
KW(1.0pf)	315	238	197	289	217	192.5

Load Step Detail

Qty.	KW Each Step (1.0 p.f.)					
	480V,3Ø	416V,3Ø	380V,3Ø	240V,3Ø	208V,3Ø	240V,1Ø
1	-	-	-	1.25	.94	.84
1	-	-	-	2.5	1.9	1.7
1	5	3.75	3.1	5	3.75	3.4
1	10	7.5	6.3	10	7.5	6.7
1	20	15	12.6	20	15	13
3	40	30	25	40	30	26
2	80	60	50	80	60	52

DynaMite 400

See bulletin 4A69598C

Capacity Detail

Volt. (AC)	480V,3Ø	416V,3Ø	380V,3Ø	240V,3Ø	208V,3Ø	240V,1Ø
KW(1.0pf)	410	308	257	410	308	273

Load Step Detail

Qty.	KW Each Step (1.0 p.f.)					
	480V,3Ø	416V,3Ø	380V,3Ø	240V,3Ø	208V,3Ø	240V,1Ø
1	5	3.75	3.1	5	3.75	3.3
1	10	7.5	6.3	10	7.5	6.7
1	20	15	12.6	20	15	13.3
1	25	18.75	16	25	18.75	16.7
1	50	37.5	31	50	37.5	33.3
3	100	75	63	100	75	66.7